




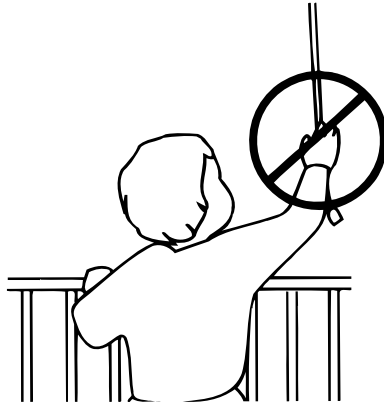
Custom **Woven**
Natural Shade

owner's handbook



Roman
Shades
•
Panel **Track**
Blinds
•
Drapery
Panels

WARNING



Young children can STRANGLE in cord and bead chain loops. They can also wrap cords around their necks and STRANGLE.

- Always keep cords and bead chains out of children's reach.
- Move cribs, playpens, and other furniture away from cords and bead chains. Children can climb furniture to get to cords.
- Do not tie cords together. Make sure cords do not twist together and create a loop.
- Always ensure that inner cord stop devices are within 6 inches (153 mm) of the head rail when the blind is in the fully lowered position. See adjustment instructions.

Color, Materials and Characteristics:

Your woven natural shade is made with materials harvested from nature. Each harvest of natural fibers is unique and will have variations in color, grain, texture, striations and warping. As a result of these inherent qualities, no two shades are identical, nor can they be. Over time, exposure to light will soften and slightly darken the color of the shade. Small cracks in bamboo slats are natural and unavoidable.

Shade Length

Due to the inherent attributes of the materials used to make Natural Shades, shrinkage, stretching and some warping are frequently occurring characteristics.

Too short? Gently pull down on the bottom of the shade when it is completely lowered.

Over time Natural Shades may stretch. This is normal.

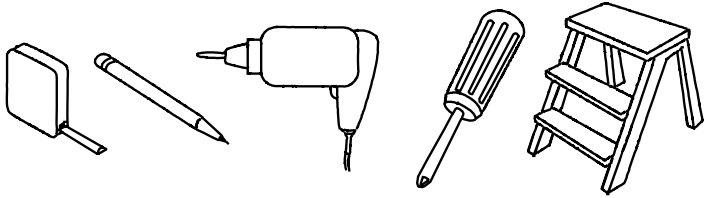
Custom
Woven
Natural
Shades

Tools Required

Screwdriver, tape measure, pencil, drill, step ladder

Use a 3/32" drill bit to predrill screw holes.

Use a 1/4" drill bit for wall anchors.



INSTALLATION INSTRUCTIONS FOR ROMAN STYLE SHADES

Step 1. Check Package Contents

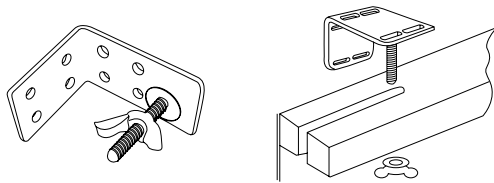
Missing part? Call 1-800-264-1190.

Mounting hardware kit includes the following:

	Part	Quantity
a	Mounting Bracket	2 (up to 48" wide)
	(includes washer &	3 (48" to 72" wide)
	wing nut)	4 (72" to 96" wide)
b	1 1/8" Screws	4 per bracket
c	Wall anchors (For dry wall or plaster mounting)	4 per bracket
d	Cord Cleat	1
e	3/8" Screws	2 (for cord cleat)

Note: one extra screw of each noted size is included for convenience

Step 2. Bracket Location and Installation



Your blind may be installed either inside the window frame or outside the window frame.

For Outside Mounting:

Place a bracket on both ends of the head rail (and one or more in the middle of the rail for larger shades).

Hold the shade level at the height desired and center it over the window opening - mark the exact location of each bracket with a pencil.

Remove the brackets from the head rail and position each bracket at the marked location and screw each bracket into the wall or window molding using the 1 1/8" screws.

For Inside Mounting:

Place a bracket on both ends of the head rail. (and one or more in the middle of the rail for larger shades).

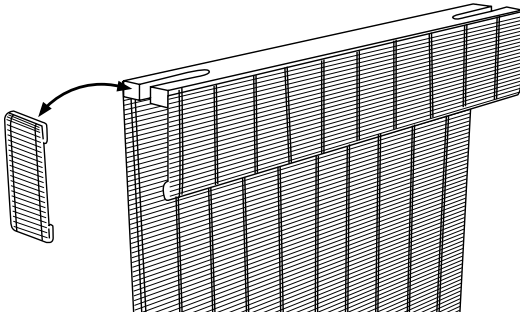
Hold the shade in place and make a pencil mark at the rear of each bracket where it contacts the inside of the window frame. Remove the brackets from the head rail and align them with the marks. Attach each bracket using the 1 1/8" screws.

Step 3. Securing the Head Rail

Lift the head rail into position – place a washer and wing nut on the post of each bracket – tighten by hand.

Step 4. Install Valance Returns (for Outside Mount shades only)

Attach the returns using the pre-applied velcro as illustrated.

**Step 5. How to Operate**

To lower shade: move cord to the left while pulling down gently until cord lock releases – allow cord to slip through fingers until shade reaches desired level – move pull cord to the right and release – shade will lock automatically. To raise blind: pull cord downward slowly until shade reaches desired height – release cord and shade locks automatically. Make sure the cord stops are properly positioned – see step 7 below:

Top-Down Bottom-Up Shades

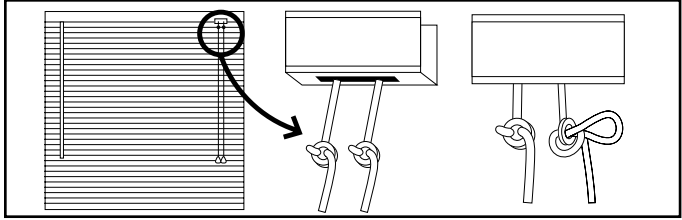
The right side cord controls bottom up/down function. The left side cord controls top down/up function.

2 Shades on 1 Head Rail

Cords are positioned at opposite ends of the head rail.

Step 6. Adjust Safety Cord Stops

! WARNING



REDUCE RISK OF STRANGULATION TO INFANTS AND TODDLERS.
POSITION SAFETY CORD STOPS BEFORE USING BLINDS.

Lower shades to maximum desired length and lock into place.

Measure the distance from head rail to cord stops. If cord stops are 1 to 6" below the head rail, no further adjustment is needed. If not, loosen but do not untie the knot surrounding the cord stop. Move the cord stop as close to the head rail as possible and tighten knot by pulling firmly on tassel. Repeat process for each lift cord.

Cord Cleat:

The cord cleat is traditionally associated with natural woven shades, it is included for optional use. Its use is recommended to help keep cords out of the reach of children and pets.

CLEANING YOUR SHADES

Use a feather duster or vacuum using the soft brush attachment.

INSTALLATION INSTRUCTIONS FOR PANEL TRACK BLINDS

Step 1. Check Package Contents

Missing part? Call 1-800-264-1190.

Mounting hardware kit includes the following:

	Part	Quantity
a	Head Rail	1
b	Mounting Clips	3 (blinds up to 72" wide) 4 (72" to 108")
c	L Extension Brackets	3 (blinds up to 72" wide) 4 (72" to 108")
d	Nut + Bolt (to attach B to C)	3 sets (up to 72") 4 sets (72" to 108")
e	1" Hex Head Screws	2 per extension bracket
f	Wall Anchors	2 per extension bracket
g	Panels	3 (blinds up to 80" wide) 4 (blinds 80" to 108")
h	Traverse Wand	1
i	Valance	1 (2 sections for larger blinds)

Note: one extra screw of each noted size is included for convenience

Step 2. Bracket Location and Installation

A mounting bracket should be positioned about 1" to 4" from each end of the head rail. The other bracket(s) should be spaced evenly between the two outermost brackets.

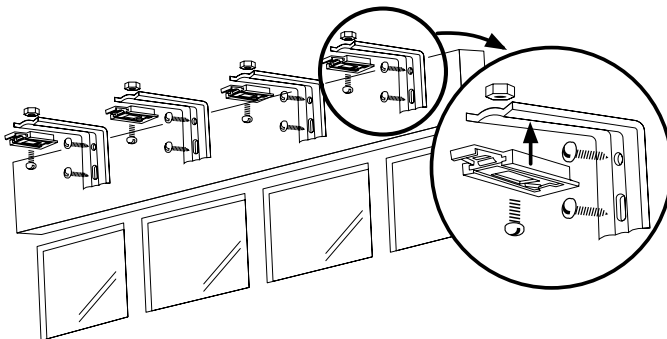
Outside Mount:

Attach the clips to the brackets as illustrated using the nuts and bolts. Position the clips in the center of the bracket slots (this can be adjusted later as desired). Attach the clips and brackets to the head rail as described below.

Ordered length is measured from the top of the head rail to the bottom of the panels.

For floor length blinds allow at least 1" for floor clearance and for slight stretching of the Natural Woven Panels as time passes.

Brackets must be positioned at precisely the same height. Use a



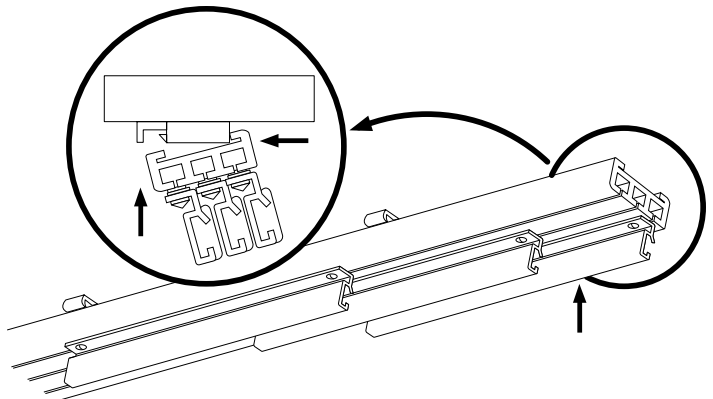
steel tape measure to assure accuracy. Make two or more pencil marks at desired height. Hold the rail level using the pencil marks for alignment. Mark the exact location for each bracket with the pencil. Remove the brackets from the head rail and position the top of each bracket at the marked location and screw each bracket into the wall or window molding using the 1" screws or screws and anchors.

Inside Mount:

Use mounting clips only (the L extension brackets are not required) – install the clips using the 1" screws.

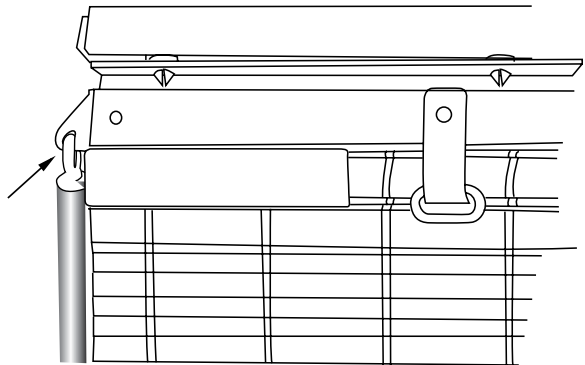
Step 3. Securing the Head Rail

The head rail snaps into the adjustable clips attached to the mounting brackets. (See illustration) Lift the head rail into position such that the back of the channel on top of the head rail fits onto the back of each clip. Then push the rail upward so that the front of each channel engages the tab at the front of each clip. Check carefully to assure that each clip is properly secured.



Step 4. Install the Traverse Wand

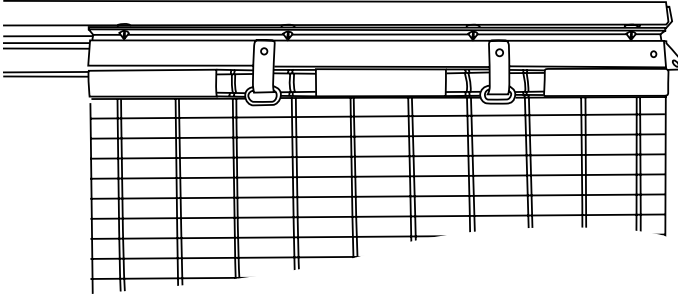
Attach the wand to the track as shown.



Step 5. Attach the Panels

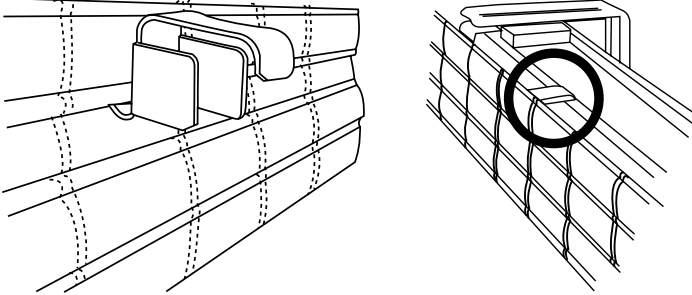
Move the wand fully to one side of the head rail so that all tracks are accessible.

Starting with the track at the back of the head rail, attach each panel to a track by sliding the oval eyelets at the top of each panel onto the track hanger hooks (see illustration).



Step 6. Install the Valance

The brackets slide into the hem of the valance as illustrated.



Place one bracket at each end of each valance section. Space the other brackets evenly between the outermost brackets. Make sure that the valance brackets do not interfere with the installation brackets of the blind – readjust the valance brackets as necessary

CLEANING YOUR SHADES

Use a feather duster or vacuum using the soft brush attachment.

INSTALLATION INSTRUCTIONS FOR DRAPERY PANELS

The Woven Natural Drapery is designed to be hung on a decorative rod set.

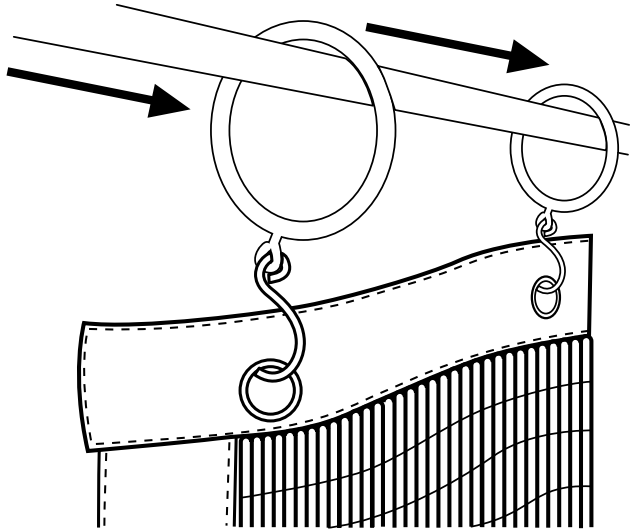
The panel is preassembled (i.e. hooks, clips and rings are pre-attached).

Measure carefully! The ordered length of the panel is measured from the top of the rings. The hardware must be positioned accordingly.

For floor length panels allow at least 1" for floor clearance and for slight stretching of the Natural Woven Panels as time passes.

Follow the instructions that came with your Drapery Hardware.

Slide the rings onto the rod as illustrated.



REPLACEMENT PARTS

In the event that replacement parts are ever needed, you may call 1-800-264-1190.

Please be sure to provide the following information, if possible:

- The complete model or catalog number of your product
- A description of the product
- A description of the part needed

LIMITED LIFETIME WARRANTY

The enclosed product is warranted to the original residential retail purchaser as long as the product remains in the original window.

Covered:

Lifetime: Entire product against manufacturing defects (i.e. a flaw in the product design, materials, or workmanship that causes the product to no longer function)

3 years: Cords including internal cords such as those found in cordless

5 years: All fabric

Not Covered:

Normal Wear and Tear

Any product that fails due to:

- abuse • exposure to salt air • improper installation • accident • extraordinary use • improper operation • alterations • improper cleaning • misapplication • damage from pests/ insects • improper handling • misuse

Natural wood products that have:

- loss of color intensity • yellowing or cracking of plastic parts or foam wood product • variations in color, grain, or texture • warping of wood slats in high humidity areas

Costs associated with:

- product removal • transportation to and from the retailer • brand label removal • product remeasure • incidental or consequential damages • product reinstallation • shipping

In the event there are multiple blinds/shades in the same room, only the defective blind/shade will be replaced.

To Report Shipping Damage:

If damage occurred during shipping, call place of purchase and report within 7 calendar days or else you may be denied credit for your damaged product.

To Obtain Service:

If you suspect this Phase II product has a manufacturing defect in materials or workmanship:

1. Locate the sales receipt
2. Call place of purchase

Any unauthorized returns will not be accepted.

Warranty Remedy:

THIS SHALL BE YOUR SOLE REMEDY UNDER THIS LIMITED WARRANTY.

If this product is found to have a manufacturing defect in materials or workmanship, we will (at our discretion) do one of the following:

- repair the product • replace the product • refund the cost of the product

Colors vary from lot to lot and may not exactly match sample swatch or previous purchases.

Discontinued items or color selections will be replaced with the closest equivalent current product.

YOUR RIGHTS UNDER STATE LAW:

This lifetime limited warranty gives you specific legal rights, and you may have other rights, which vary from state to state. Some states do not allow limitations on how long a warranty lasts, so the above limitations may not apply to you.

No agent, representative, dealer, or unauthorized employee has the authority to increase or alter the obligation of this warranty. This lifetime limited warranty supersedes any previous versions.