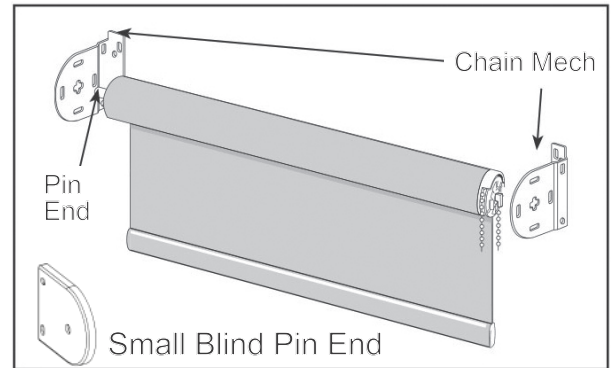


OPEN ROLL INSTALLATION INSTRUCTION

FITTING THE BRACKETS

Bracket positions illustrated are for a blind with the control chain on the right. For a blind with the control chain on the left the brackets should be at the opposite ends. Brackets can be fixed to any flat surface above, behind or to the side of the blind.

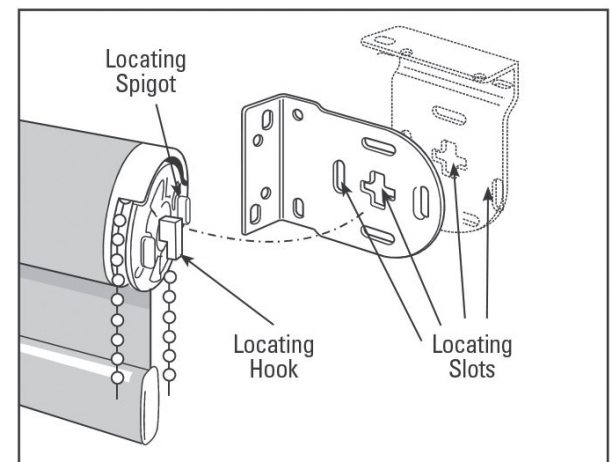
They must be level to ensure the smooth operation of the blind. Check that the rolled up fabric will not touch any surface. To calculate the spacing between the brackets add 32 mm (1 1/4") to the width of the blind fabric. Fix the brackets so that the outsides of the brackets are this distance apart.



FITTING THE BLIND

Hold the blind to the brackets with the fabric hanging from the back of the blind. Fit the spring plunger into its bracket. Push the blind into this bracket, depressing the plunger. With the locating hook pointing downwards place the hook into the vertical part of the 't' shaped hole in the bracket. Allow the hook to drop downwards so that it locks into place in the bracket.

Screws provided are meant for installing into wood. If you are installing into metal, drywall or plaster, you will need to purchase other screws and plugs at your local hardware store.

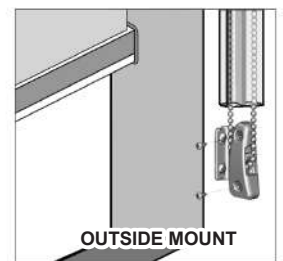
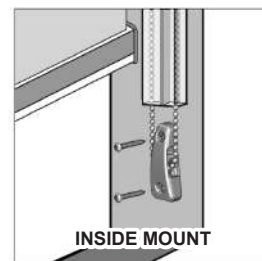
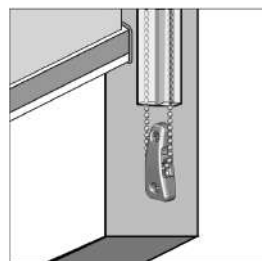


CHILD/SAFETY CHAIN TENSIONER INSTALLATION

This device **MUST** be properly installed in accordance with Health Canada regulations on corded window covering products. Fasten Child Safe Hold Down against the window frame or wall. Position the Child Safe Hold Down so it does not interfere with the travel of the shade. Chain should be tight, but not under stress when adhered to the Child Safe Hold Down. Fasten the Child Safe Hold Down using screws provided. Do not twist the chain.

PLEASE SEE ATTACHED HOLD DOWN INSTRUCTIONS.

To operate the chain slide Chain Guard up, exposing the bottom of the chain. Use the exposed chain to raise or lower your shade accordingly. Release the Chain Guard to conceal the chain.



⚠️ WARNING

STRANGULATION HAZARD - Young children can be strangled by cords. Immediately remove this product if a cord longer than 22 cm or a loop exceeding 44 cm around becomes accessible.

⚠️ MISE EN GARDE

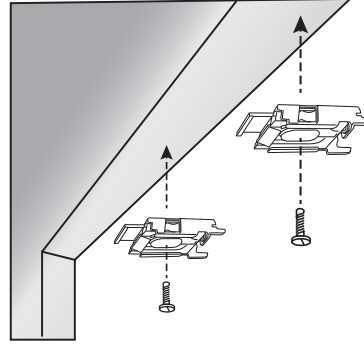
RISQUE D'ÉTRANGLEMENT- Les enfants en bas âge peuvent s'étrangler avec des cordes. Enlevez immédiatement ce produit si unecorde mesurant plus de 22 cm devient accessible ou si le contour d'une boucle de plus de 44 cm devient accessible.

CORDLESS ROLLER INSTALLATION SHEET - OPEN ROLL

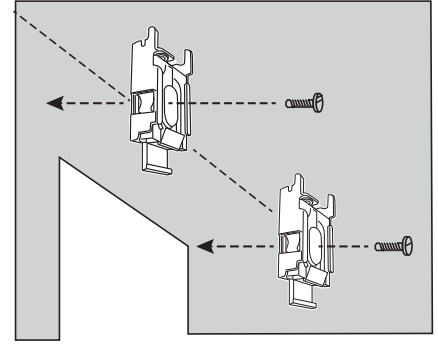
Mounting the Brackets

Measure 3" in from the ends of the mounting profile and mark the bracket locations on the mounting surface. If more than two installation brackets are required for your shade, make additional marks to space the other bracket(s) evenly between the two end brackets. Adjust the bracket placement to gain clearance to avoid any obstructions, such as window cranks or handles. Center an installation bracket on each mark. Then, mark where to drill pilot holes for the mounting screws. With inside mounts, allow 1/2" clearance behind the brackets for installation.

INSIDE / CEILING MOUNT



OUTSIDE / WALL MOUNT



IMPORTANT NOTE: When installing bracket, **DO NOT OVER TIGHTEN** screw. Over tightening screw will deform the metal housing and interfere with the operation of the spring loaded clear plastic clip.

TIP: The installation brackets must be mounted level to operate properly. If you are fastening the mounting brackets to drywall, be sure to use wall anchors and follow the instructions provided with the anchors.

Install the shade

Standard Installation

The groove on the top of the mounting profile fits into the hooks on installation brackets.

Install the shade into the installation brackets.

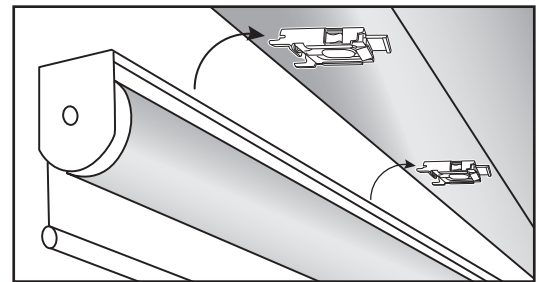
Hold the shade so the bottom bar fabric side faces you.

Hook the back groove of the mounting profile into the hooks of the installation brackets.

Rotate the mounting profile toward the clear tabs of the installation brackets.

Push the set bar until tabs lock into place. You will hear a loud click when each bracket is securely in place.

To Remove shade, simply press the clear plastic tabs on the brackets to unlock mounting profile.



Operating the Shade

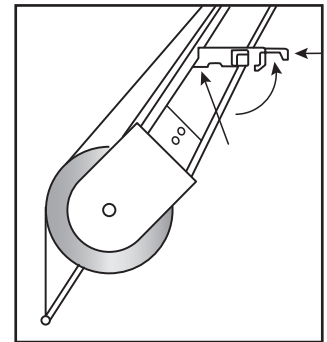
ALWAYS OPERATE THE SHADE FROM THE MIDDLE.

Lowering the shade

Pull down the shade and hold the bottom rail ensuring it locks into place to the desired position.

Raising the Shade

Pull the shade down about an inch and release. The shade rises and stops.



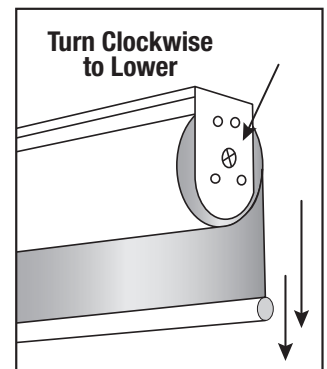
Shade Adjustment

Stop Height Adjustment

YOU WILL NEED A LARGE FLAT SCREWDRIVER.

The shade is preset in the "up" position to have the bottom rail exposed only. If you wish to have the roller blind stop in the "up" position at a lower height, follow the next steps:

1. Completely roll up the shade.
2. Turn the dial at the right end of the shade clockwise
3. The shade will begin to lower.
4. Stop when it reaches the desired height, then turn the adjustment button 1/4 turn "counterclockwise". This will reset the "up" position.



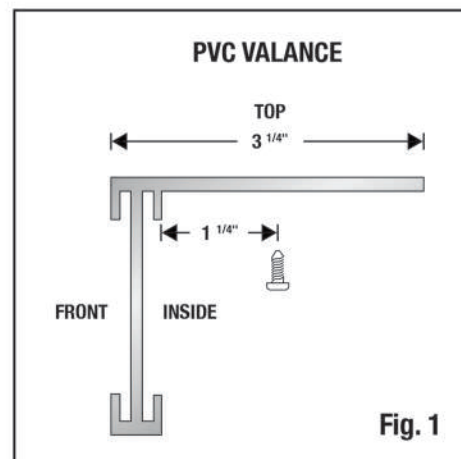
Proudly Canadian
Owned & Operated

PLEASE READ ALL INTRUCTIONS BEFORE PROCEEDING TO FOLLOW THE STEP-BY-STEP INSTRUCTIONS

PVC VALANCE INSIDE/CEILING MOUNT

YOU WILL HAVE TO INSTALL THE VALANCE FIRST BEFORE YOU INSTALL THE SHADE. VALANCE COMES ASSEMBLED WITH FABRIC INSERT. CORNER PIECE + SIDE RETURNS NOT REQUIRED

- minimum of 3 ¼" of depth is required in your window so that the top of the Valance has the appropriate surface area.
- On the inside of the Valance, mark an X, 5" from each end and 1 ¼" from the back (see Fig. 1). This is where your screws will be installed. It is recommended that you pre-drill holes using a 1/8" drill bit. You may need to put another mark in the middle of the valance depending on width.
- Place the Valance in the widow opening and position the front of the Valance flush with the frame/wall. It is recommended that 2 persons help with the installation.

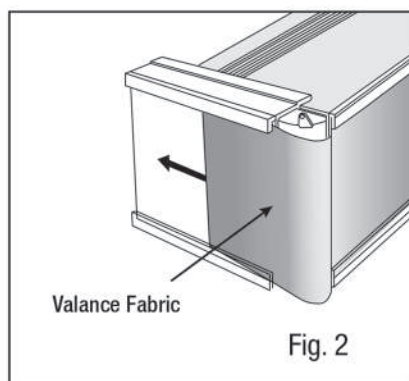


PLEASE NOTE: Screws provided are for Installing into wood only.

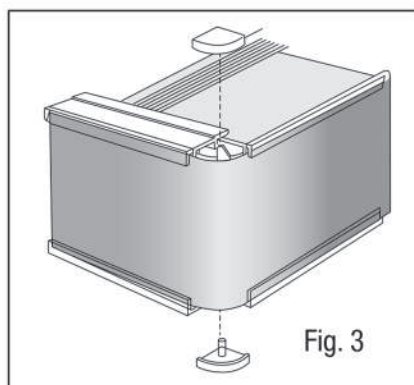
VALANCE ASSEMBLY / OUTSIDE MOUNT

The valance is to be mounted after the total installation.

- 1 Attach the corner pieces into the back slot of the main valance section. Insert the side returns of the valance into the corner pieces. See Fig. 1

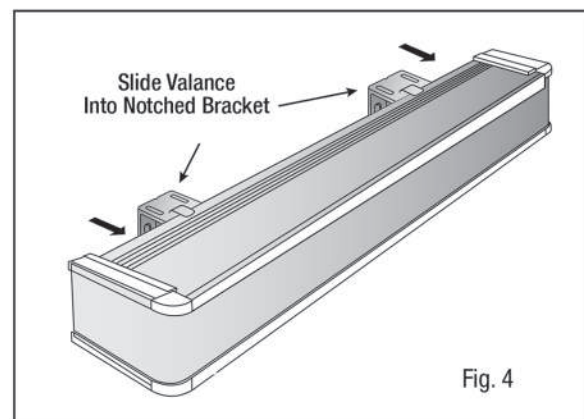
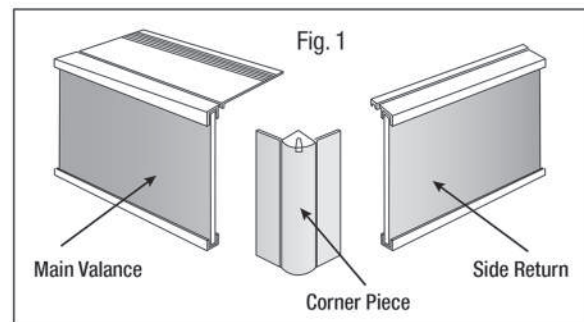


- 2 Slide the excess fabric from the end of main valance into the side return grooves. See Fig. 2



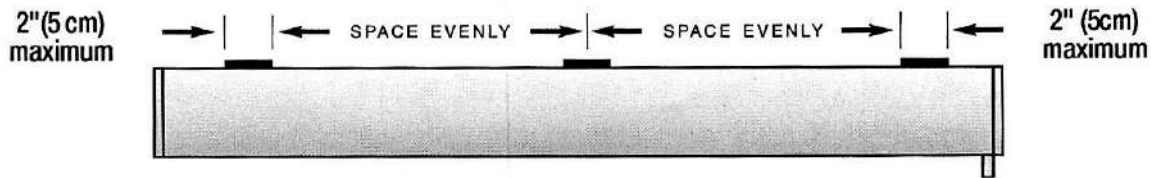
- 3 Insert the plastic top and bottom and push to secure the entire valance. See Fig. 3.

- 4 Center the valance over the installed roller Shade. Place the roof of completely assembled valance into the metal notched part on the top of valance bracket. Push roof of valance into the pressure fit notch of bracket. Roof of valance should be secured properly into the pressure fit notch lip. Valance returns should be resting and against wall. See Fig. 3.



CURVED OR SQUARE CASSETTE

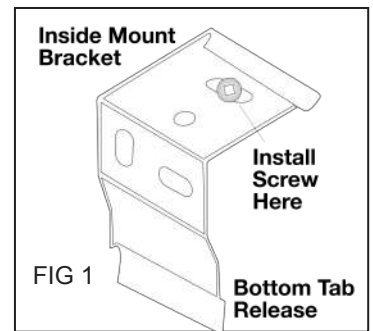
1 Install brackets no further than 2" from each end of the cassette. On wide shades, space the additional bracket(s) at equal intervals. Please see section 2 for inside mount and section 3 for outside mount. Ensure brackets are even and in a straight line.



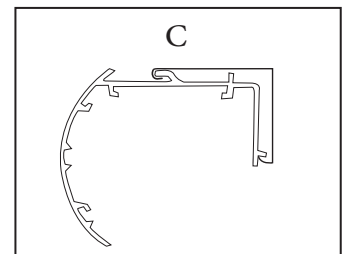
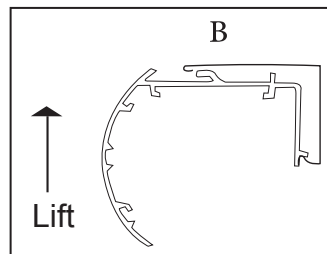
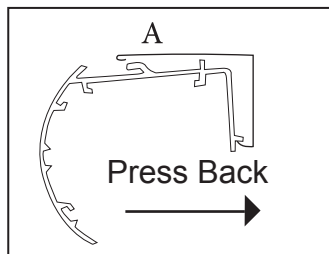
2 INSIDE MOUNT

Install screw provided in the front top oval slot only. Do not install screws in both slots. See Fig. 1. Ensure the back of the bracket is a minimum of ¼ an inch away from any obstructions. This allows the bottom tab to flex and snap into cassette.

NOTE: Screws provided are for installation into wood only. Should you require alternate screw, please use a screw with a low-profile head (Truss Head). Using a screw with a high-profile head (Pan Head) may interfere with installation.



INSTALL CASSETTE INSIDE MOUNT. Ensure hands are clean before installation. Place the back lip of cassette onto the bottom tab of inside bracket as per line drawing "A". Press the cassette back and lift cassette to engage the top lip of the cassette as per line drawing "B". The completed install should be as per line drawing "C".

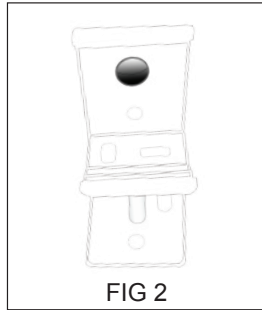


⚠️ WARNING

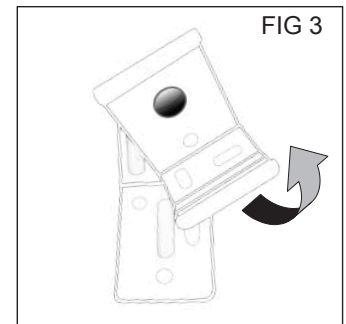
STRANGULATION HAZARD - Young children can be strangled by cords. Immediately remove this product if a cord longer than 22 cm or a loop exceeding 44 cm around becomes accessible.

3 OUTSIDE MOUNT BRACKETS

Outside Brackets comes with an “L” shaped angle which is assembled with a spring clip. (See Fig 2).



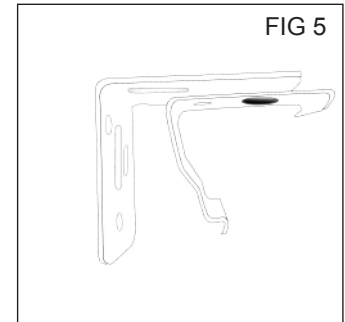
Swivel the spring clip (See Fig 3), in order to access the angle portion of the bracket.



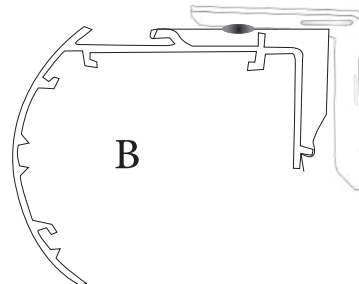
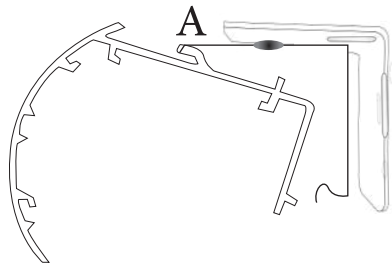
You are now ready to install bracket (See Fig 4). Install screws provided in the top and bottom holes.



Once screws are in place, swivel the spring clip back into position (See Fig 5). You are now ready to install your shade.



INSTALL CASSETTE OUTSIDE MOUNT: Position the top middle lip of cassette along all brackets as per line drawing “A” to front lip of bracket. Twist and push up until the back lip of the extrusion engages and snaps into place with back bottom tab of bracket. See line drawing “B”.



4 OPERATING AND FINAL INSTALL OF SHADE.

NOTE: If shade is ordered with operating chain:

Your shade comes with a Health Canada compliant chain shroud and chain Hold Down. These should not be removed and must be installed. See attached Hold Down Install Instructions.

MANUAL CHAIN OPERATED ROLLER SHADE: Please follow the note above to ensure safety. Move your Hold Down slightly forward so that it does not interfere with the operation of your shade. Your shade comes with chain on either the right or left as chosen. One side of the chain raises the shade and the other side lowers the shade. Do not keep pulling the chain on one side only. This will affect the operation of shade.

5 TO REMOVE A SHADE: You will need a wide flat screwdriver for removal. Place the flat end of the screwdriver between the bottom tab release and cassette. Pry/twist screwdriver so that the spring tab releases from the cassette. Do this for all brackets. It is recommended another person be there to help depending on the width of shade.

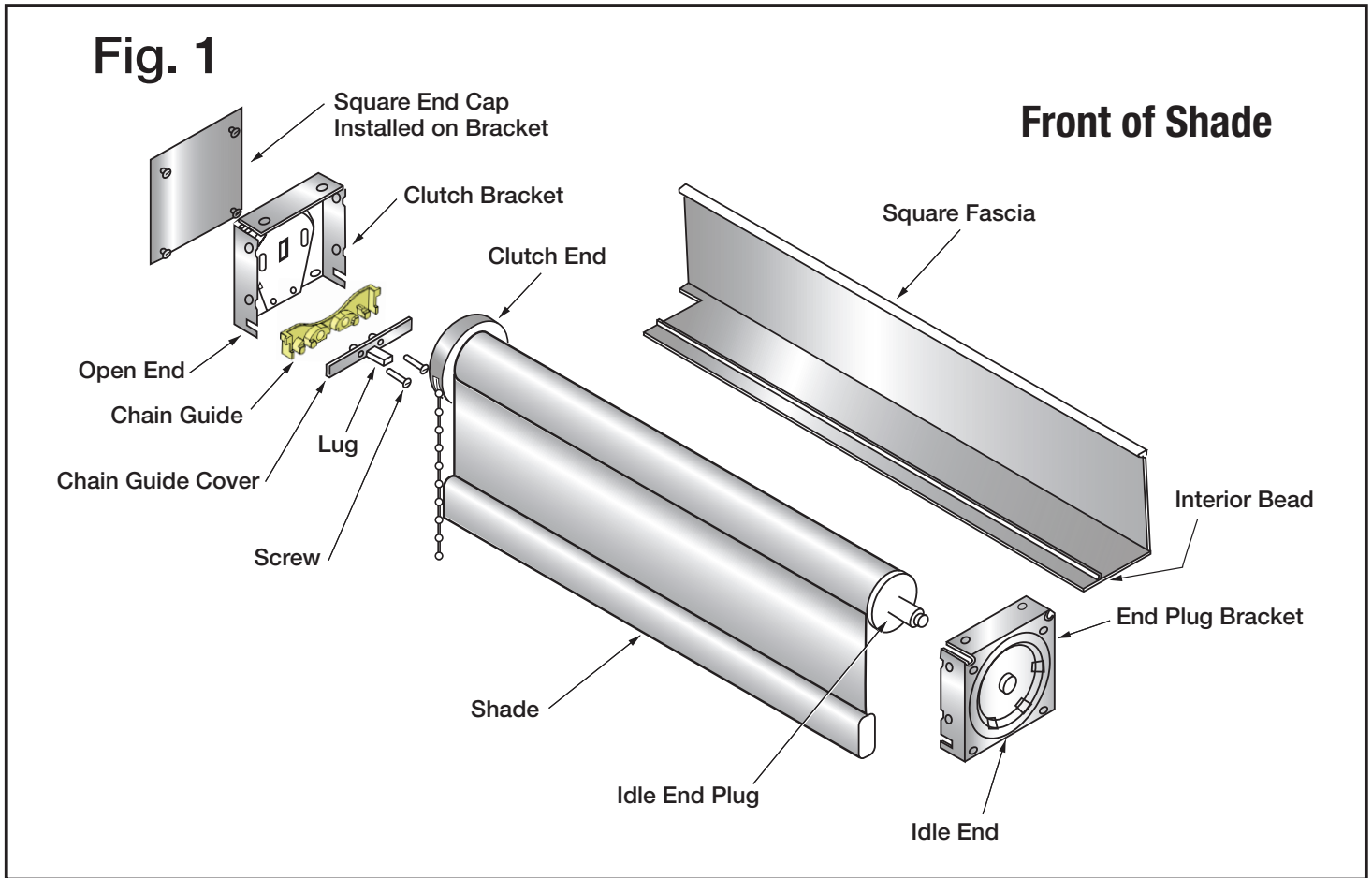
⚠ WARNING

STRANGULATION HAZARD - Young children can be strangled by cords. Immediately remove this product if a cord longer than 22 cm or a loop exceeding 44 cm around becomes accessible.

Here's a step-by-step guide for installing the Blackout/Privacy Roller Shade with Light Blocking Aluminum Side Channels:

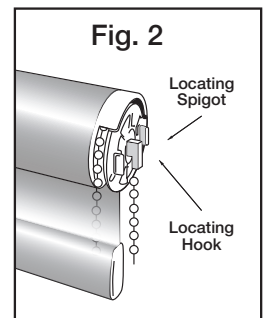
Install Brackets first

- 1. Bracket Positioning:** Install the brackets on the inside of the window casement frame. Attach them to the top of the window casement using the two screws provided.
- 2. Orientation:** Ensure the open end of the brackets faces downward.
- 3. Bracket Placement:** There is a specific bracket for the clutch/motor and another for the end plug. Confirm their locations before installation.
- 4. Level Installation:** The brackets must be installed level and flush against the casement sides. Refer to Figure 1 for a schematic of all components and an illustration showing right control.



Install the Shade

- 1. Keep Shade Rolled:** Do not unroll the shade before installation. Leave the paper wrap packaging on the shade and remove it only after the shade is installed. Avoid using sharp objects to remove the paper as it could damage the shade.
- 2. Position the Shade:** Hold the shade with the fabric hanging from the back.
- 3. Mounting:**
 - Install the spring-loaded end plug first.
 - Then install the clutch/motor. Ensure the locating hook is pointing downward as shown in **Figure 2**.



WARNING

STRANGULATION HAZARD — Young children can be strangled by cords. Immediately remove this product if a cord longer than 22 cm or a loop exceeding 44 cm around becomes accessible.

MISE EN GARDE

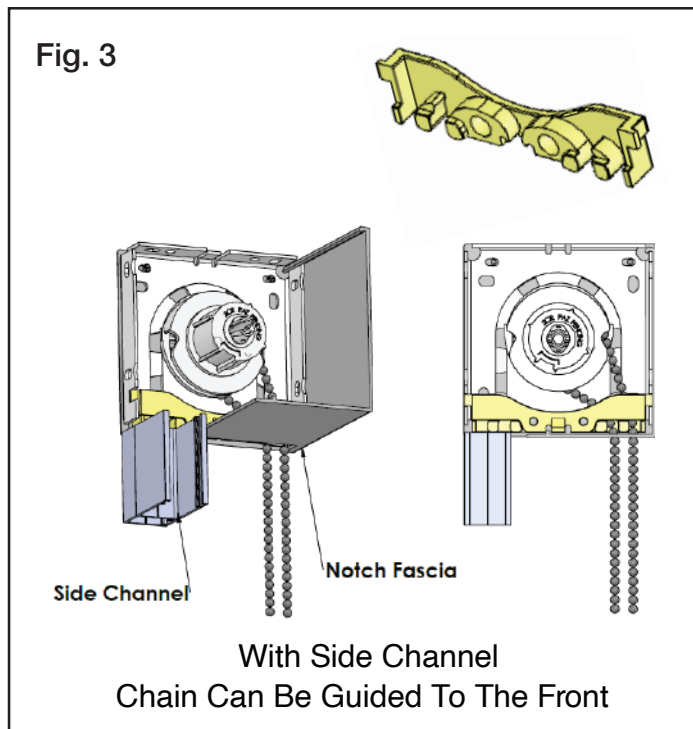
RISQUE D'ÉTRANGLEMENT — Les enfants en bas âge peuvent s'étrangler avec des cordes. Enlevez immédiatement ce produit si une corde mesurant plus de 22 cm devient accessible ou si le contour d'une boucle de plus de 44 cm devient accessible.

Chain Guide for Manual Shades

- Initial Placement:** After installing the shade, position the chain guide, but do not install the cover yet.
- Chain Positioning:** Divert the chain into the appropriate slots of the chain guide for the side channels, following the instructions in **Figure 3**.
- Secure the Chain Guide:** Place the cover over the chain guide and secure it with the two screws provided. Ensure the chain guide cover's lug is facing downward.

Chain Guide for Motorized Shades

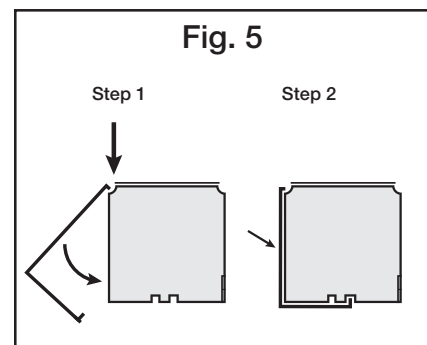
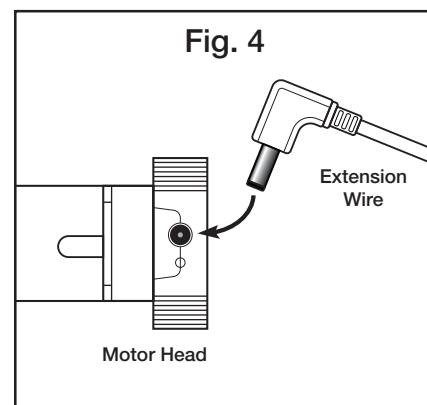
- Install the Chain Guide:** Follow the same steps as for manual shades. The chain guide provides extra support for the fascia installation.
- Battery Recharging:** Motorized lithium battery shades need periodic recharging. An extension wire is supplied so you don't have to remove the fascia for recharging.
- Wire Installation:** Connect the extension wire to the motor head (refer to **Figure 4**). Once the fascia is installed, tuck the extension wire inside the bottom of the fascia, ensuring it doesn't interfere with the shade's operation.



Install the Fascia

- Shade Positioning for Chain Operated Shades:** Lower the shade approximately 2 inches below the fascia brackets before installation. For motorized shades, follow the specific instructions before lowering the shade.
- Fascia Installation:** Position the fascia at a slight angle to the top of the fascia bracket. The lip of the fascia should rest on the top of the bracket slots.
- Secure Fascia:** Press the front of the fascia by hand until you hear it snap into place at the bottom of the left and right fascia brackets. The interior bead will hold the fascia securely in place. Do not use a hammer or mallet (refer to **Figure 5**).

This guide will help ensure a smooth and secure installation of your roller shade.



WARNING

STRANGULATION HAZARD — Young children can be strangled by cords. Immediately remove this product if a cord longer than 22 cm or a loop exceeding 44 cm around becomes accessible.

MISE EN GARDE

RISQUE D'ÉTRANGLEMENT — Les enfants en bas âge peuvent s'étrangler avec des cordes. Enlevez immédiatement ce produit si une corde mesurant plus de 22 cm devient accessible ou si le contour d'une boucle de plus de 44 cm devient accessible.

CHAIN TENSION DEVICE

Installation Instructions



RB91-1338-xxx110
 RB91-1338-xxx210
 RB91-1338-xxx310

CHAIN TENSION DEVICE Installation Instructions

GETTING STARTED

IMPORTANT: The included screws can be screwed directly into wood. When attaching to drywall or metal, use anchors that are designed for such substrates. See your hardware store or supplier for guidance on appropriate anchors for your substrate.

TOOLS NEEDED:

- Pencil
- Phillips head screwdriver
- Tape measure
- Power drill

PARTS INCLUDED:



2 LARGE SCREWS



2 SMALL SCREWS



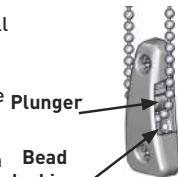
BRACKET
 Select option that suits installation

STEP 1: POSITION TENSION DEVICE

The tension device must be installed to make the shade fully operable.

PROCEDURE: To begin installation, first slide the tension device to the bottom of the bead chain.

While holding the tension device in one hand, pull the plunger away from the bead chain with the other hand. Lift the bead chain out of the bead locking groove and slide the tension device to the bottom of the chain loop.



Pull the tension device down until the bead chain is fully tensioned (plunger will be at the top) and then move the tension device up approximately 1/8" (3mm).

Mark the screw hole locations on the wall with a pencil.



STEP 2: MOUNT TENSION DEVICE

GENERAL NOTE: If mounting into wood, pre-drill screw holes and then install the tension device using the 2 large screws provided.

If not securing into wood, use appropriate anchors for the substrate and follow anchor manufacturer's instructions.

USING A BRACKET: Align the mounting bracket sight holes with the pencil marks and fix the bracket.

Press the tension device onto the mounting bracket posts. Carefully install the 2 small screws provided, through the tension device into the mounting bracket using a Phillips head screwdriver.

DO NOT OVER-TIGHTEN.

INSIDE MOUNT



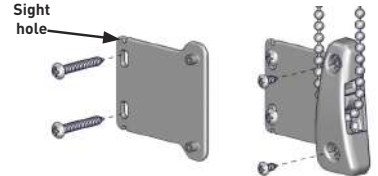
OUTSIDE MOUNT



FLOOR MOUNT



SIDE MOUNT



FLOOR MOUNT INSTRUCTIONS:

Securely fix the floor mount bracket to desired location.

Assemble with chainhold & chain.

Adjust the length of the bead chain so that the plunger is 1/8" (3mm) below its top position. Adjust chain length by removing balls and reassemble with pliers or a chain connector (sold separate).

R1912 & R1918 LITHIUM MOTOR

Operating Instructions

MOTOR ASSEMBLY



- Fit crown by sliding along the motor body until it meets the motor head.
- Fit the drive using the cir-clip to secure in position.
- Attach the motor plate with the screws supplied in either left hand or right hand orientation as required.

ATTACHING THE SOLAR PANEL



- Make sure the motor has enough charge to operate the blind.
- Attach the solar panel to the charge port on the motor using the 1.5m charge cable.
- Place/ fix the solar panel so that it is facing direct sunlight.

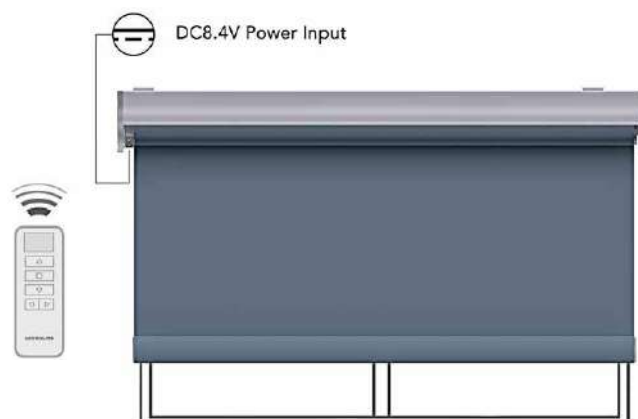
KEY FEATURES

- DC power supply with energy saving patented design, 7.4V 2600mAh (R1912) 3000mAh (R1918) Lithium battery built-in.
- Setting limits by remote control. Up to 6 limits, including upper/lower limit and 4 intermediate positions.
- 433.92MHz radio control.
- Short/open circuit protection
- Patented helical gear design, noise level lowered to 30dB.

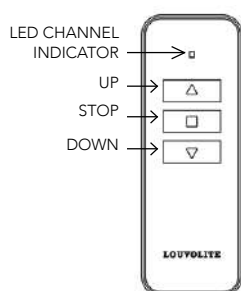


POWER SOURCE & CHARGING OPTIONS

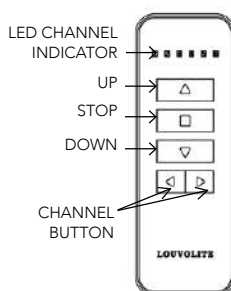
Built-in Li-ion battery supply. Recharged using an external charger. On a full charge can be used up to 6 months. Charging time is 6-8 hours.



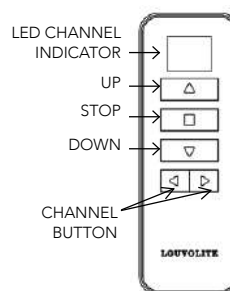
REMOTE LAYOUT



R1940 - 1CH
Push button

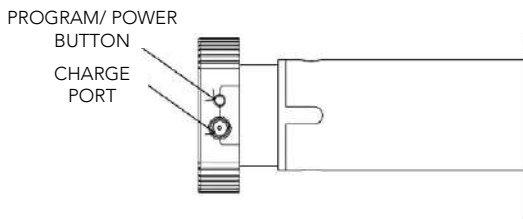


R1942 - 6CH - WH
Push button
Also available in black

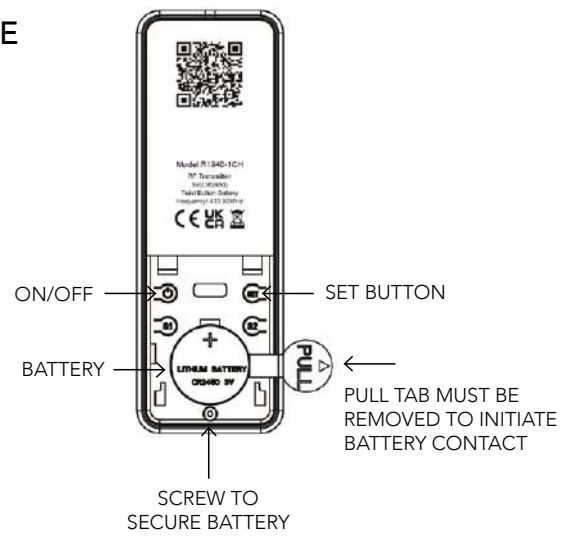


R1944 - 16CH
Push button

MOTOR HEAD



REMOTE



WARNING CONTAINS HAZARDOUS BATTERY KEEP OUT OF REACH OF CHILDREN

New or used batteries can cause severe or fatal injuries in 2 hours or less if swallowed or placed inside any part of the body. Seek medical attention immediately if you suspect the battery has been swallowed or placed inside any part of the body.

POWER ON/OFF

After switching off the power the motor will not be able to receive remote signals.

Power ON



1. Press the PROG button on the motor head for 1 second until the motor beeps once.

Power OFF



2. Press the PROG button on the motor head for 7 seconds until the motor beeps once. After a long beep the motor is now OFF

PAIRING REMOTE

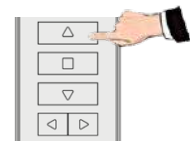
If there is no action in 10 seconds the motor will exit programming automatically.



1. Select a channel for pairing on your remote control



2. Press the PROG button until the motor beeps and oscillates once. The motor will now be in setting mode.



3. Press UP within 10 seconds. The motor will oscillate again, the motor and remote are now paired.

CHANGE DIRECTION

If there is a need polarity can be reversed.



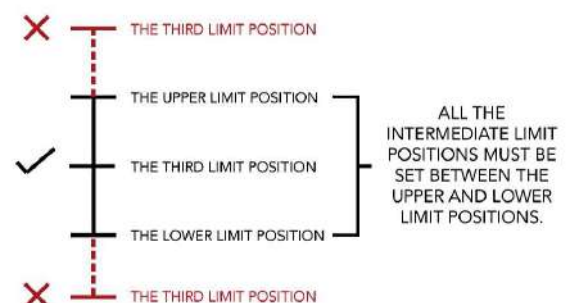
1. Press and hold STOP on the programmed remote for 5 seconds, the motor will oscillate once.



2. Press DOWN within 10 seconds and the motor will oscillate again, the motor direction is now reversed

LIMIT POSITION

- The first and second positions are Upper/ Lower limit positions. The other four are intermediate positions.
- After the Upper/ Lower limit positions are set, all the intermediate positions must be set between the Upper and Lower limit.
- The Upper and Lower limit position can only be fine-tuned once set. It can only be removed by deleting all the motor memory.
- Press the UP or DOWN button once and the motor will move to the next pre-set limit position. When the upper position has been reached the UP button will be unresponsive. When the lower position has been reached the down button will become unresponsive.
- For all the way up/down, press up/down pause for 1 second then press up/down again.

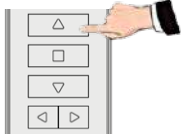


SETTING LOWER AND UPPER LIMIT

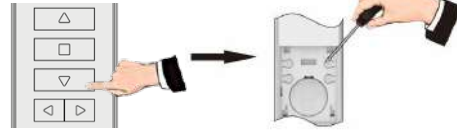
Once the limits are set the system will exit the command automatically. Both limits must be set to exit mode.



1. **Lower Limit** - Press SET on the programmed remote for 1 second



1. **Upper Limit** - Press UP to the desired upper limit position then press STOP.



2. Press DOWN to the desired lower limit position, then press STOP. Press SET again for 1 second the motor will oscillate once, the lower limit is now set.



2. Press SET for 1 second and then press SET again to confirm. The motor oscillates once, the upper limit is now set.

FINE-TUNING LIMIT POSITIONS

Limits can be fine tuned individually. If there is no activity for 30 seconds the system will exit the command automatically.



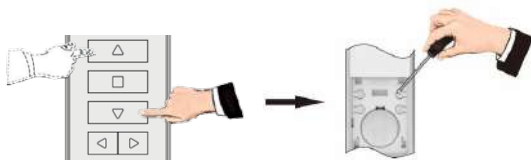
Let the motor run to the limit position and press SET for 1 second. The motor will Oscillate once, the motor is now in setting mode.



2. Use UP/DOWN to adjust to exact position and then press SET again for 1 second. The motor will oscillate once, the fine-tune setting is now complete.

SETTING INTERMEDIATE LIMITS

The motor will oscillate once and is now in setting mode. Use the UP/DOWN arrows to adjust to the exact position. Press SET again, the motor will oscillate once. The fine-tune setting is now complete.



1. Move the blind to the desired position and press SET for 1 second.



2. The motor will oscillate once and is now in setting mode. Press SET again, the motor will oscillate once. The intermediate limit position is now set.

DELETING LIMIT POSITIONS

The first limit cannot be deleted separately, to remove this limit all limits must be deleted.



1. Let the motor run to the limit position which needs to be deleted and press SET for 7 seconds.



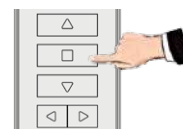
2. The motor will oscillate after 1 second and then go in setting mode. The motor will oscillate once again after 7 seconds, the pre-set limit position is now deleted.

JOG MODE

The default movement of the motor is continuous, it can be changed to jog movement or back to continuous movement for blind positioning or during fine tuning mode.



1. Press and hold STOP on the programmed remote for 5 seconds. The motor oscillates once.



2. Press STOP again. The motor oscillates again, the movement mode is changed.

ADDING A REMOTE



1. Press and hold STOP on the programmed remote for 5 seconds. The motor oscillates once.



2. Press UP on the new remote. The motor oscillates again, the new remote is now added.

CHANNEL LOCKING & UNLOCKING

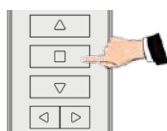


Channel Locking - Using the LEFT or RIGHT button, select the desired channel you wish to lock the remote on. Press STOP and RIGHT buttons together until the selected channel flashes or CC is displayed.



Channel Unlocking - Using the LEFT or RIGHT button, select the desired channel you wish to unlock on the remote. Press STOP and RIGHT buttons together for 2 seconds until all channels flash or CC is displayed. The remote is now unlocked.

DELETE SINGLE CHANNEL



1. Select channel to delete. Press and hold STOP on the programmed remote for 5 seconds. The motor oscillates once.



2. Press SET for 1 second. The motor oscillates again, the selected channels memory is now deleted.

DELETE ALL MEMORY

METHOD ONE



1. Press and hold STOP on the programmed remote for 5 seconds. The motor oscillates once.

2. Press and hold SET for 7 seconds within 10 seconds of the motor oscillating. The motor will oscillate again for 1 second. The motor will oscillate twice for 7 seconds, all memory is now erased. Deleting all memory returns the motor back to factory settings.

METHOD TWO

For motors with both white and black antennae:

1. Press the button on the motor 2 times, the motor will beep for each time you press.

2. Press a third time, the motor beeps once, keep the button held down until the motor beeps again.

3. Press a fourth time, the motor beeps once, keep the button held down until the motor beeps again, the motor will jog twice.

The motor memory is now deleted.

BLUETOOTH SETTING MODE



1. Press PROG 4 times, press for a fifth time and hold down until the motor oscillates twice. The motor is now in Bluetooth setting mode. Open "LL OneTouch" APP to add devices.

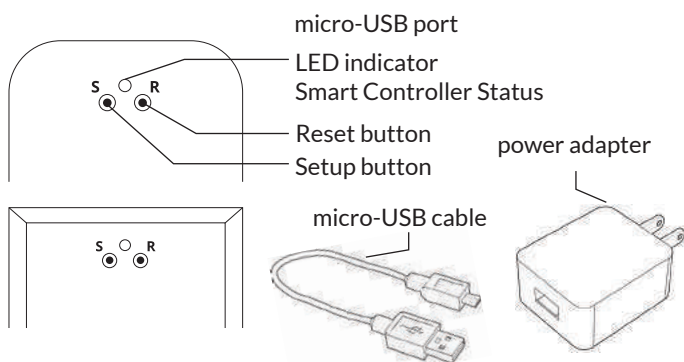
TROUBLE SHOOTING

	ISSUE	CAUSE	SOLUTION
1	Motor does not run or runs slowly	Over-load protection	Motor has been operated frequently in a short space of time or is being operated in hot conditions. Allow the motor to cool before next operation.
2	Motor does not run or runs slowly	Motor has reached its limit	Motor has reached a pre-set limit. Operate the blind in the opposite direction and check for movement.
3	Motor does not run or runs slowly	Out of battery	Recharge the battery.
4	Motor does not run or runs slowly	In power off mode	Turn power on to the motor.

SETUP CODE CODE DE CONFIGURATION


SBCAN

Getting to know your Smart Controller



Smart Controller Status:
Flashing blue - Hotspot available
Flashing green - Connecting to the WiFi network
Pulsing cyan/blue-green - Connected to the Internet

Getting Started

- 1 Download the Neo Smart Blinds app**


Download the app to your phone or tablet by searching **Neo Smart Blinds** on Google Play or the App Store.
Note: Do not install Neo Smart Blinds Blue
- 2 Plug in your Smart Controller in reach of your home WiFi**

Choose a place not too far from your home router or a place you know has good WiFi signal strength. You will be able to change its location after, if necessary.
- 3 Create an account and choose the setup code written on the cover**

After opening the app, tap on Create one to create a new account. Enter a valid email address and choose a password, select the region time zone from the place where the Smart Controller will be located. Choose the setup code written in the cover and tap on Register.
- 4 Follow the app step by step to add the Smart Controller**

Have in hand the home WiFi password. It will be necessary to connect the Smart Controller to the Internet.
Note: Some Android users won't be connected quickly to the hotspot. If it is the case, please wait about 10 seconds before returning to the app. During this time, your device may notify you that the hotspot does not have Internet access, and will prompt you whether you want to remain connected. You need to select the option that will allow you to keep connected before returning to the app.

System requirements

- A strong WiFi signal (3 bars or more) in the location where you will setup your Smart Controller.
- The Smart Controller only supports 2.4GHz WiFi (IEEE 802.11b/g/n), not 5GHz. WiFi security needs to be set to WPA-PSK or WPA2-PSK.
- A smartphone or tablet running Android 5.0 (Lollipop) or higher, or iOS 8 or higher is needed.

Troubleshooting

The home WiFi doesn't appear in the step 4

Try rescanning, if the problem persists, you will need to reposition the Smart Controller to a place with stronger WiFi signal. In this case, exit the process (tap on the menu, then tap Your Rooms), replace the Smart Controller and start over.

The Smart Controller LED in the bottom is not blinking blue The process fails in the last step

Press the S button for 10 seconds, then press the R button once and start over. Pay special attention when typing the WiFi password.

Need more help?

Visit neosmartblinds.com/smartcontroller for detailed instructions about how to use the app and troubleshooting.

Integrations

Smart home devices

Visit neosmartblinds.com/smartcontroller-integrations for detailed information about connecting to Amazon Alexa, Google Home and other systems.

Control4

Please send an email to tech@neosmartblinds.com with your name, your email and your company's name. This information is necessary to always send to you any further driver update.

Legal Information

FCC

This equipment has been tested and found to comply with the limits for a Class B digital device, pursuant to Part 15 of the FCC Rules. These limits are designed to provide reasonable protection against harmful interference in a residential installation. This equipment generates uses and can radiate radio frequency energy and, if not installed and used in accordance with the instructions, may cause harmful interference to radio communications. However, there is no guarantee that interference will not occur in a particular installation. If this equipment does cause harmful interference to radio or television reception, which can be determined by turning the equipment off and on, the user is encouraged to try to correct the interference by one of the following measures:

- Reorient or relocate the receiving antenna.
- Increase the separation between the equipment and receiver.
- Connect the equipment into an outlet on a circuit different from that to which the receiver is connected.
- Consult the dealer or an experienced radio/TV technician for help

Contains transmitter module FCC ID: COFWNMNB11

To comply with FCC/IC RF exposure limits for general population/ uncontrolled exposure, the antenna(s) used for this transmitter must be installed to provide a separation distance of at least 20 cm from all persons and must not be co-located or operating in conjunction with any other antenna or transmitter.

IC

This device complies with Industry Canada's licence-exempt RSSs. Operation is subject to the following two conditions:

- This device may not cause interference; and
- This device must accept any interference, including interference that may cause undesired operation of the device.

This device meets the exemption from the routine evaluation limits in section 2.5 of RSS102 and users can obtain Canadian information on RF exposure and compliance.

Contains transmitter module IC: 10293A-WMNB11

This End equipment should be installed and operated with a minimum distance of 20 centimeters between the radiator and your body.



GRIP FIT™

Fitting & Operating Instructions

CHECKING YOUR WINDOWS ARE COMPATIBLE WITH GRIP FIT™

Is your recess solid?

Because the bracket system pushes out with up to 60kg of force, your recess needs to be solid. We have tested a whole host of substrates including brick, tile, plaster board and wood which are all suitable. However if your recess will move when pushed for example if you have plasterboard with nothing behind it, then your window won't be suitable for Grip Fit™.

Is your recess deep enough?

The cassette is a total of 8cm deep, so your recess must be at least this deep to house the product.

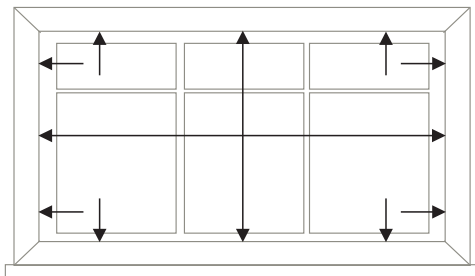
Are your walls parallel?

The Grip Fit™ roller blind grips onto the side of your recess. As a result of this your walls need to be parallel to each other and not taper forward or back where you are going to install the blind as this would stop the rubber compound from making contact with the wall fully.

HOW TO MEASURE FOR GRIP FIT™

It is important to use a steel tape measure as fabric tapes can stretch over time.

- Measure the depth of your recess. It needs to be at least 8cm deep to accommodate the Grip Fit™ cassette.
- Check the walls are solid by pushing on them with your hand. If the walls don't move or bend when you push, then they are suitable.
- Measure the width of your recess at the top of the window. It is important to measure to the nearest mm.
- Measure the drop of the window in three places and note down the longest drop.



FITTING GRIP FIT™

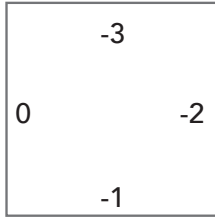
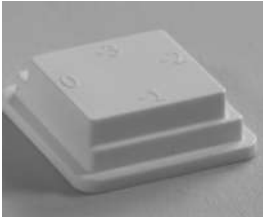
Once you have opened your blind, simply raise the cassette into your recess at an angle, level it out and fold the bracket levers down to lock in place. Now you can insert the blind into the cassette idle end first, Slide out the bracket covers and operate your blind.

The system works using a specially developed rubber compound and a clever bracket system to push out on your recess.

GRIP FIT™

Fitting Instructions

ADJUSTING THE CASSETTE FIT IF IT IS TOO TIGHT (Minus adjustment)



Minus adjustment block

LEFT SIDE OF THE CASSETTE



Fig. 1

Fold both lever brackets up on the cassette, remove the cassette from the window recess and lie flat. (Fig.1)

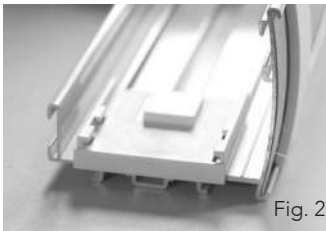


Fig. 2

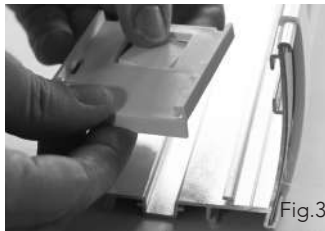


Fig.3

Slide the mounting plate out of the left side of the cassette (Fig.2) and remove the adjustment block (Fig.3) Rotate the adjustment block by up to -1, -2 or -3 **clockwise**.



Fig. 4



Fig. 5

Slide the adjustment block and mounting plate back into the cassette and refit the lever bracket. (Fig.4 & 5)



Fig.6



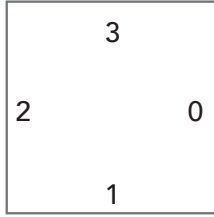
Fig.7

Fit the cassette back into the recess ensuring it is a snug fit and fold the lever brackets down to secure the blind. (Fig.6 & 7)

GRIP FIT™

Fitting Instructions

ADJUSTING THE CASSETTE FIT IF IT IS TOO LOOSE (Plus adjustment)



Plus adjustment block
RIGHT SIDE OF THE CASSETTE



Fig. 1

Fold both lever brackets up on the cassette, remove the cassette from the window recess and lie flat. (Fig.1)

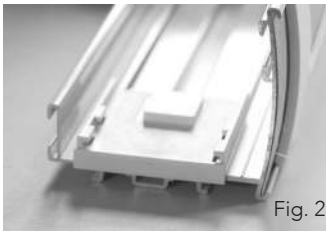


Fig. 2

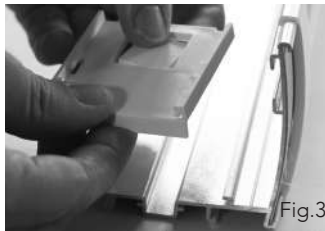


Fig.3

Slide the mounting plate out of the right side of the cassette (Fig.2) and remove the adjustment block (Fig.3). Rotate the adjustment block by up to +1, +2 or +3 **anti-clockwise**.



Fig. 4



Fig. 5

Slide the adjustment block and mounting plate back into the cassette and refit the lever bracket. (Fig.4 & 5)



Fig.6



Fig.7

Fit the cassette back into the recess ensuring it is a snug fit and fold the lever brackets down to secure the blind. (Fig.6 & 7)