

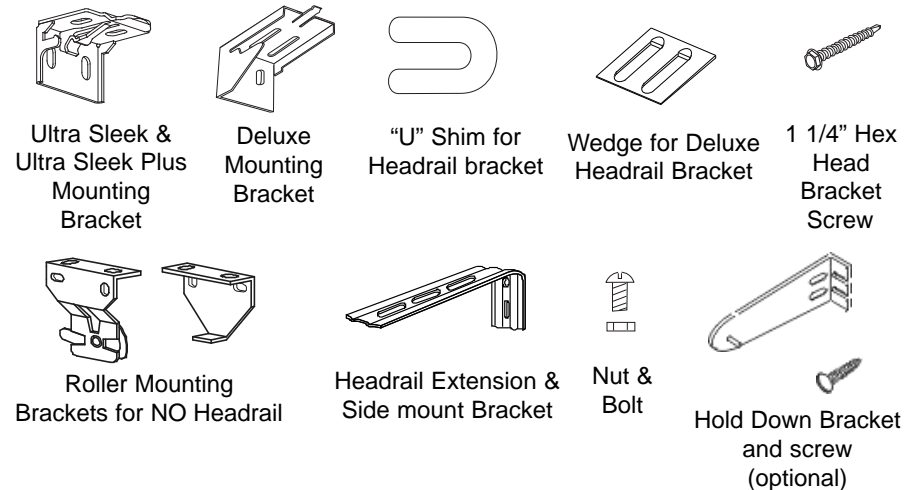
BASICS

Please take a moment to identify which headrail version you have and then follow the appropriate instructions.

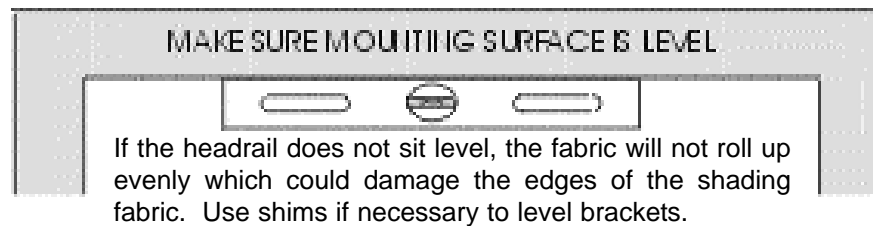
A few simple tools are required:

- Measuring tape
- Carpenters Level
- Power drill or Phillips head Screwdriver
- 1/4" Hex head and/or Phillips driver bit

Additional fasteners other than those sent with your shading may be required depending on the mounting surface. Wallboard and plaster require the use of anchors such as expansion or toggle bolts. Brick, tile or stone need special plugs and drill bits. Remember to always pre-drill holes in wood to avoid splitting.

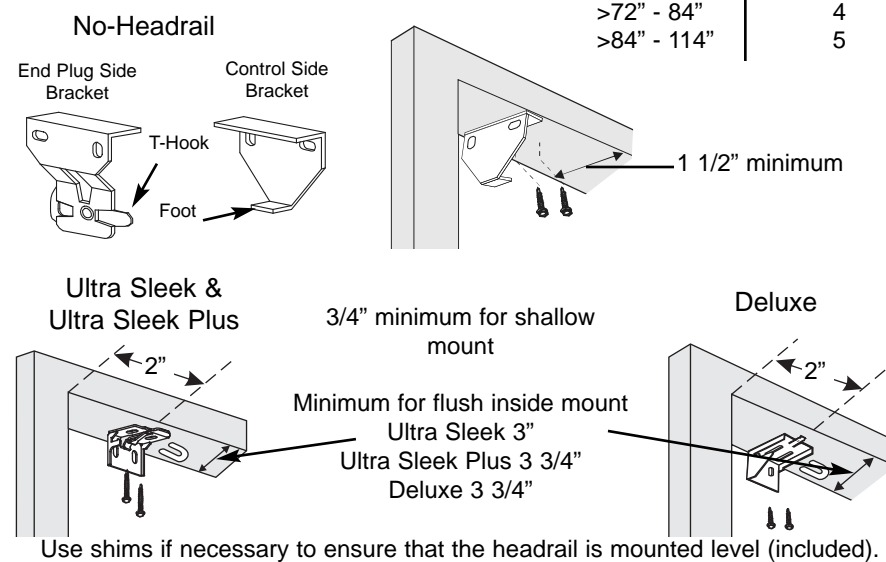


Step 1. BRACKET INSTALLATION

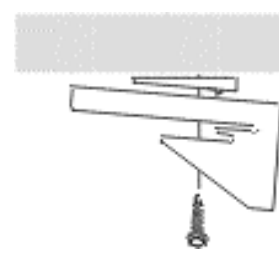


Inside Mount

Shade width	# of Brackets
Up to 40"	2
>40" - 72"	3
>72" - 84"	4
>84" - 114"	5

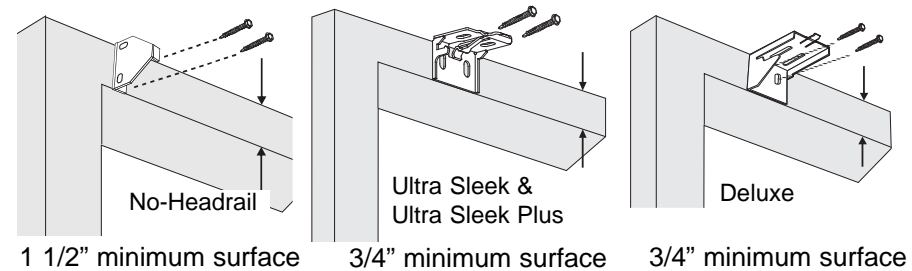


Fully Recessed Inside Mount (Deluxe Bracket Only)



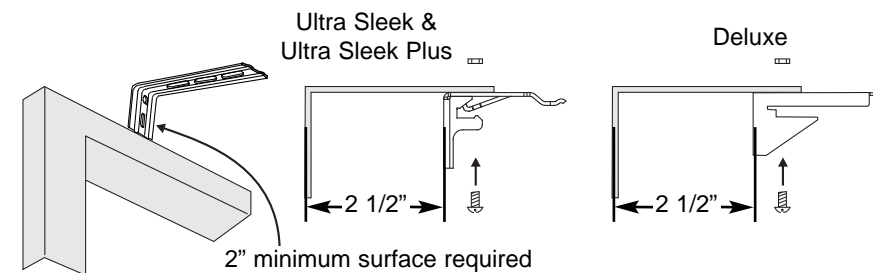
Low light gap wedges can be used to reduce the top light gap when the shade is mounted fully recessed. The wedge is placed between the mounting surface and the bracket with the tabs on the wedge facing down and the thick end of the wedge toward the back of the bracket.

Outside Mount



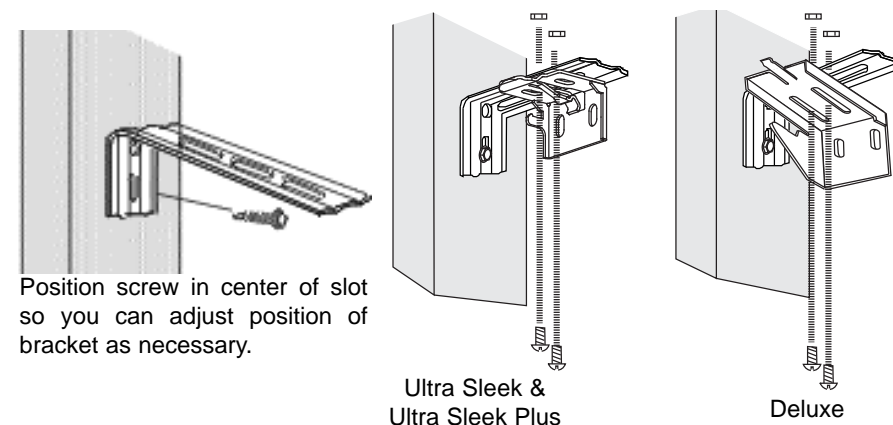
Extension Brackets (optional for headrail shades)

Optional Extension Brackets are used to project the back of the shading up to 2 1/2" from the mounting surface. Attach the Ultra Sleek or Deluxe Mounting Bracket to the Extension Bracket with the nut and bolt provided.



Side Mount (optional for headrail shades)

Measure from window sill up to desired mounting position on each side of the window frame. Mark position. Mount Side Mount Brackets on each side of window frame as shown. Make sure to confirm that headrail will sit perfectly level. Once Side Mount Brackets are installed and properly positioned, attach the Ultra Sleek or Deluxe Mounting Brackets using the nuts and bolts provided.

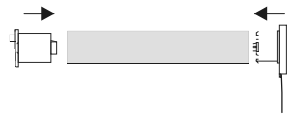


Step 2. HANGING THE SHADE

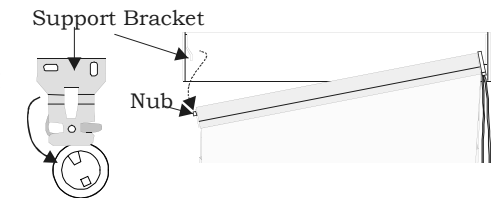
No-Headrail

Once the brackets are secured and level, the fabric roll can be inserted. Make sure your hands are clean to avoid soiling the fabric.

While facing the inside of the shade, be sure the clutch and roller end plug are inserted into the roller. Hold the shade with the bottom of the clutch facing the floor, and the beaded cord hanging straight down.

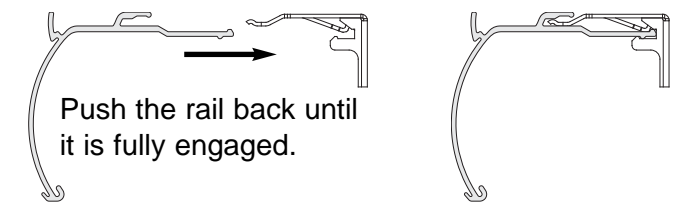


Insert the foot of the control-side bracket into the slotted center hole of the clutch. Set nub of the end plug into the V of the support bracket. Rotate the T-hook on the support bracket to engage over the nub on the idler and secure the fabric roll.

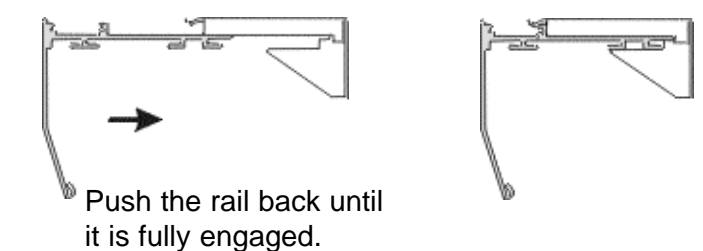


Headrail

Ultra Sleek & Ultra Sleek Plus

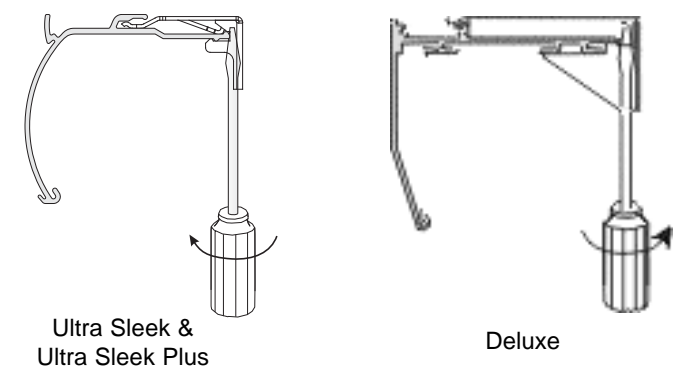


Deluxe Rail



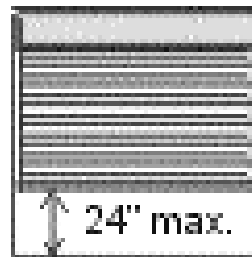
Headrail Removal

To remove the shading, partially lower the shading and insert a flat head screwdriver as shown. Twist the screwdriver until the headrail disengages from the bracket.



Step 3. OPERATION

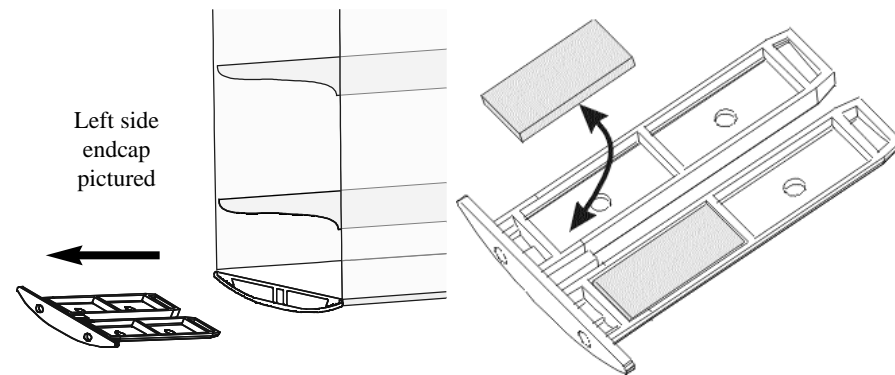
Pulling down on the back cord will lower the shading. When the window shading is completely lowered, pulling down on the back cord will open the vanes. Continued pulling in this direction will raise the fabric with the vanes in the open position. **The window shading must only be raised a maximum of 24" in this manner to avoid damaging the fabric.**



Pulling down on the front cord will close the vanes and then raise the shading.

Equalization Adjustment

If the fabric is moving to one side (or one side of the bottom rail is higher than the other), slide the endcap from that higher side out of the rail. There are two weights in the endcap already, and two empty positions for new weights. Place a weight in one of the positions. Replace the endcap and check the operation again. If the shade still shifts, add the additional weight. If the shade still shifts, *remove* weights from the *other* endcap for additional adjustment.

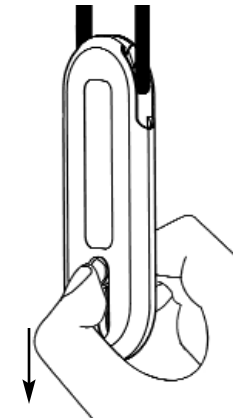


Step 4. CHILD SAFETY

The American National Standard for Safety of Corded Window Covering Products (ANSI) requires the use of a cord tie down (cord tensioner) on all continuous loop cord systems. The use of such a device is intended to significantly reduce the occurrence of infant or small child strangulation injuries or deaths resulting from the looped pull cords on various window treatment products.

Cord Tensioner Installation

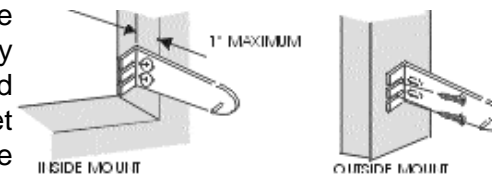
Your window shade has arrived with the cord tensioner positioned near the head rail to comply with current WCMA child safety standards. The cord tensioner must be mounted and secured before the window shade will operate correctly. To position the tensioner, grasp the screw hole and pull down to release the lock. Pull the cord through the tensioner until the tensioner is at the bottom of the cord loop.



Follow the instructions included in the Tensioner Bracket Packet.

Step 5. HOLD DOWN INSTALLATION (optional)

Use the pin on the hold down bracket to punch out the front hole on the bottom rail end cap. Mount the hold down to the side or back of the window frame so that the pin lines up with the front hole in the bottom rail end cap with the shade fully lowered and fully open. Lower the shading and flex the hold down bracket outward so that the pin can be inserted into the hole in the end cap.

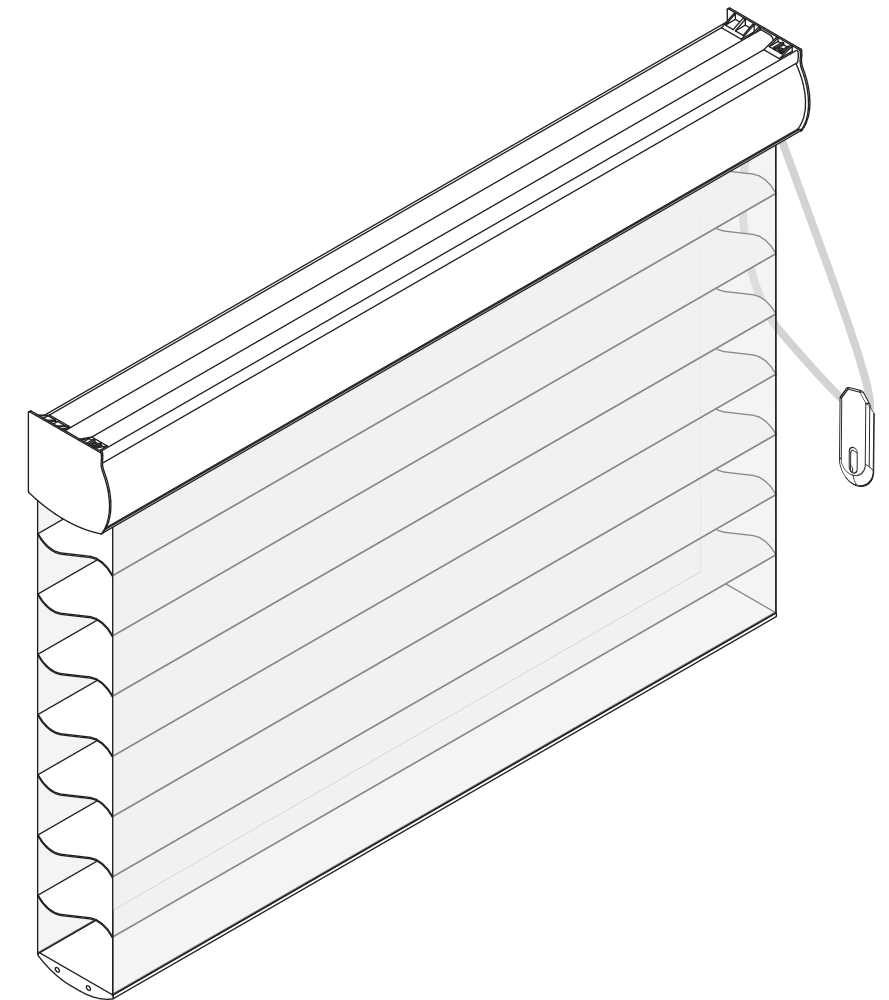


CLEANING AND CARE

The soft and delicate feel of Sheer Horizontal Window Shadings belies the durability of the material. Sheer Horizontal Window Shadings are made of sturdy, knitted polyester fabrics and may be feather dusted or vacuumed at a low suction setting. Spots or stains can be rubbed clean with a damp sponge and mild soap. To avoid discoloration of the material, we recommend against the use of chemical cleaners. If necessary the shading may be ultrasonically cleaned by a professional.

All knitted fabrics experience weave variations due to heat, humidity and other room conditions. These variations can result in slight bowing, puckering and dimpling of the Sheer Horizontal material. The possible variations are minor and have been shown through case study not to detract from the beauty of this product.

Installation Instructions



Sheer Horizontal Window Shadings

Sheer Horizontal Window Shadings represent a design breakthrough in style, efficiency and function. The unique fabric structure and hardware system are designed to provide years of reliable service when properly installed. **Please take a few minutes to read through these instructions before beginning.**