

Installation and Care Instructions

Roller Shades Installation instructions

A few simple tools are required:

Measuring tape

Power drill, drill bits

Hex head and/or Phillips driver bit

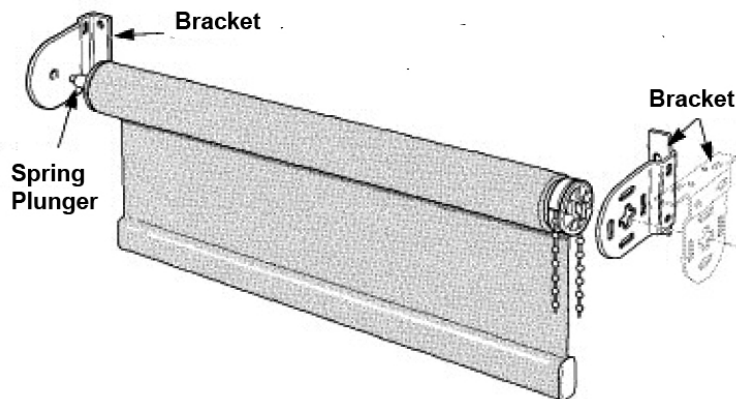
Pencil

BLINDS WITH SIDE CONTROL CHAIN

Bracket positions illustrated are for a blind with the control chain on the right. For a blind with the control chain on the left the brackets should be at the opposite ends. Brackets can be fixed to any flat surface above, behind or to the side of the blind. They must be level to ensure the smooth operation of the blind. Check that the rolled up fabric will not touch

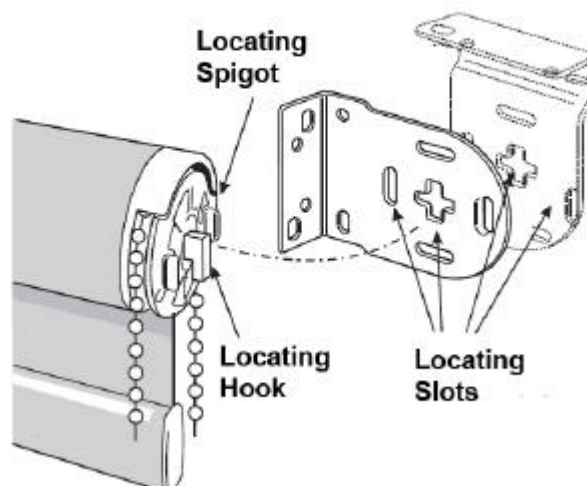
any surface. To calculate the spacing between the brackets add 32mm (1 1/4") to the width of the blind fabric. Fix the brackets so that the outsides of the brackets are this distance apart.

Fitting the Brackets



Hold the blind to the brackets with the fabric hanging from the back of the blind. Fit the spring plunger into its bracket. Push the blind into this bracket, depressing the plunger. With the locating hook pointing downwards place the hook into the vertical part of the '+' shaped hole in the bracket. Allow the hook to drop downwards so that it locks into place in the bracket.

Fitting the Blind



ROLLER SHADES – SPRING LOAD TYPE

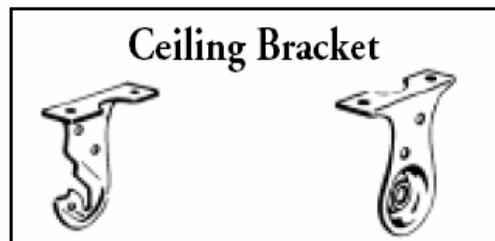
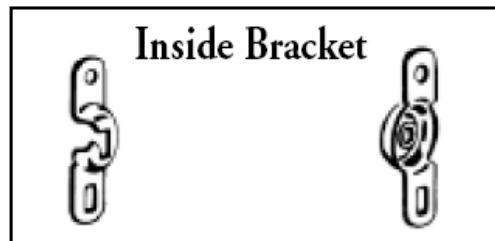
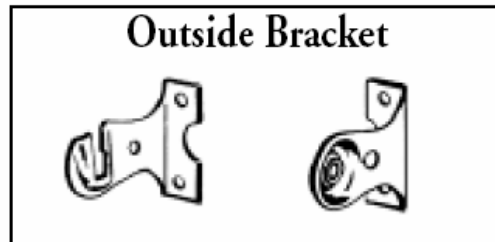
SPRING END
LEFT SIDE



ALUMINUM ROLLER OR TUBE

PIN END
RIGHT SIDE

Spring Bracket
Pin Bracket



Spring end (flat pin) always goes to the left side and the round or pin end to the right side.

Brackets to be installed accordingly.

For reverse roll the opposite applies. All pin end brackets are supplied with a plastic bushing to ensure smooth quiet operation.

To Install Brackets: Ensure brackets are level. To calculate the spacing between the brackets add 7/8" to the width of the shade fabric, for shades up to 78 1/4" in width. For shades over 78 1/4" Add 1" to the width of the shade fabric. This spacing measurement should be taken from outside of brackets. If wall plugs are required use a #6 plastic plug. Always raise or lower the shade gripping the middle of the shade. Pulling on one side will cause the material to roll up on an angle.

Shades should always be ordered 12" longer than the actual window opening. This allows the shade to be drawn full length without danger of being torn from the roller.

Guarantee

Roller shades are covered by a lifetime guarantee on the shade roller against manufactures defects in materials and workmanship as long as the original customer owns them. Our guarantee does not cover abuse misuse or improper installation. Fringes and blinds may fade; this change is not covered under warranty.

How To Adjust Tension On Roller

On a spring shade the spring may become un-wound during shipping. If the blind does not roll-up properly, proceed with the following:

To Tighten Spring

1. Installation brackets must be level.
2. Draw shade down about 18 inches.
3. Remove from brackets.
4. Re-roll up by hand.
5. Replace in brackets.

** repeat this procedure if necessary.

To Loosen Spring

1. Remove rolled-up blind.
2. Unroll about 18 inches.
3. Replace in brackets.

Note: Tools are not to be used for tightening or loosening roller springs.

Too much tension could damage spring and void the guarantee