

Panel Track Installation Guide



Before starting

Your new panel track is custom made to your specifications from the finest materials available. To ensure proper functioning of your shade, it is extremely important to follow these guidelines.

Mounting Options

Inside mount: Panel track is mounted either inside the window - to the top of the frame, or onto the ceiling.
Outside mount: Panel track is mounted either on or outside the window frame.

Note: Mounting screws provided are suitable for most mounting surfaces. See below for additional suggestions.

For wallboard or plaster: Use hollow wall anchors if required for added support.

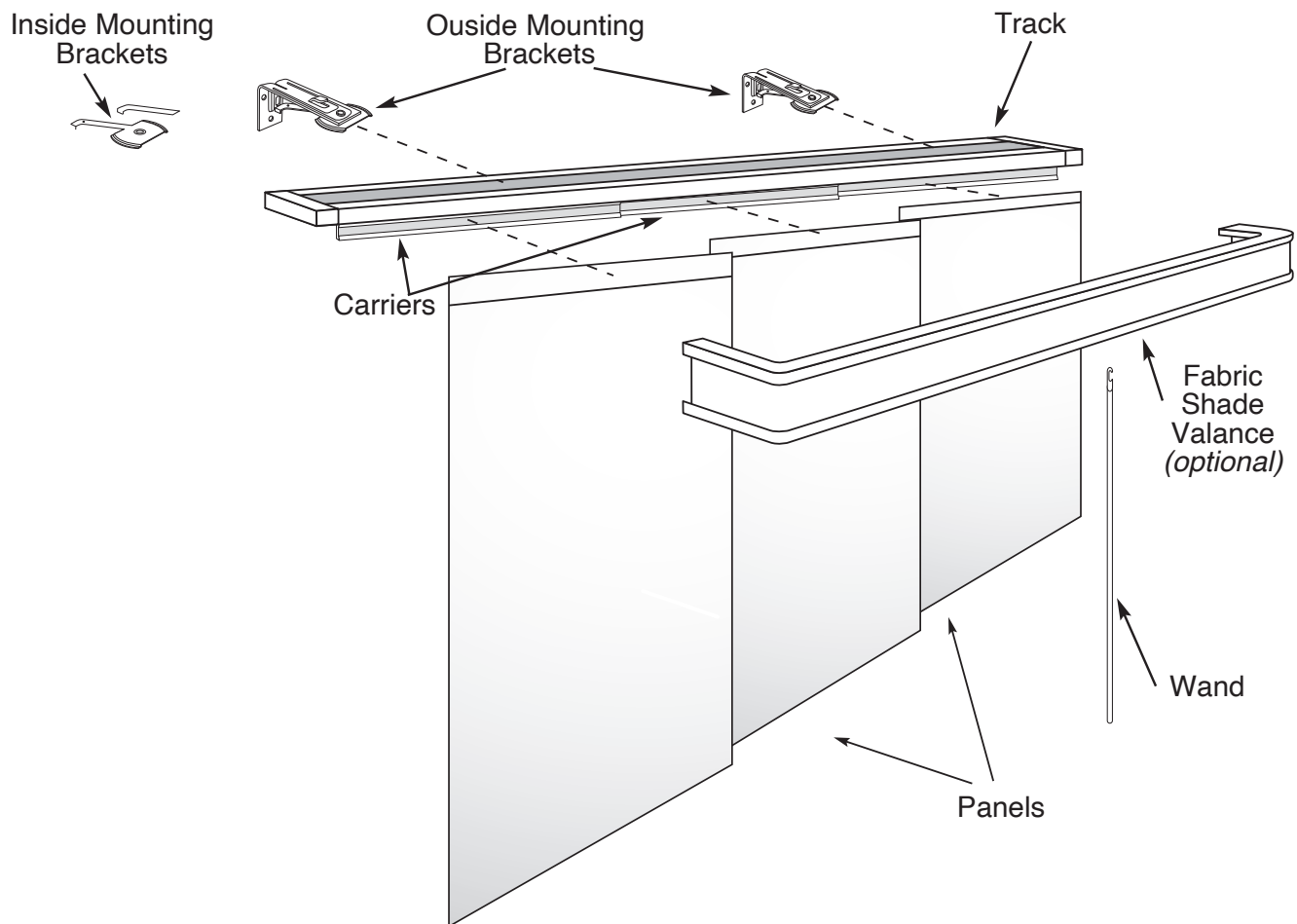
For concrete, stone, brick or tile: Use a carbide drill and appropriate anchors before fastening the screws.

For metal surfaces: Pre-drill holes before fastening the screws.

Suggested Tools

- Drill
- Pencil
- Level
- Tape Measure
- Screwdriver

Anatomy of the Panel Track

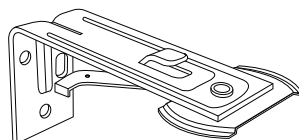


Parts

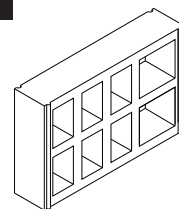


Inside Mounting Brackets

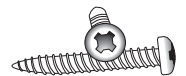
or



Outside Mounting Brackets



Spacer Blocks (if required)



Screws

Getting started – If you have a 5 or 6 panel track, go to last page.

For 2,3 or 4 start at step 1

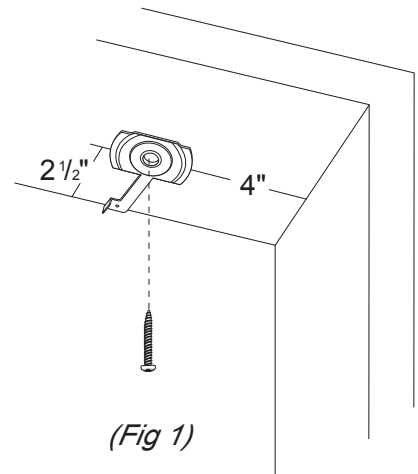
Important: to ensure proper functioning of your shade, it is extremely important to follow these guidelines.

Please see the valance installation instructions (pg 6) before starting the installation.

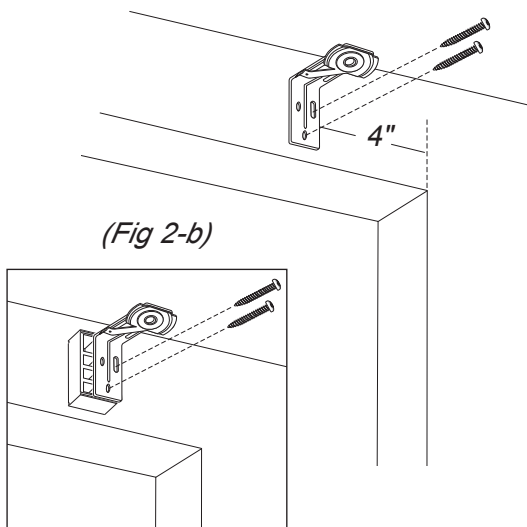
Step 1. Mounting the brackets

A. Inside/Ceiling: The bracket should be positioned approximately 4" in from each end of the track/window frame and at least 2½" from the back of the frame or nearest obstruction. Then mount with one screw per bracket (Fig 1).

When more than two brackets are supplied, position the additional brackets evenly between the two end brackets.



(Fig 2)



(Fig 2-b)

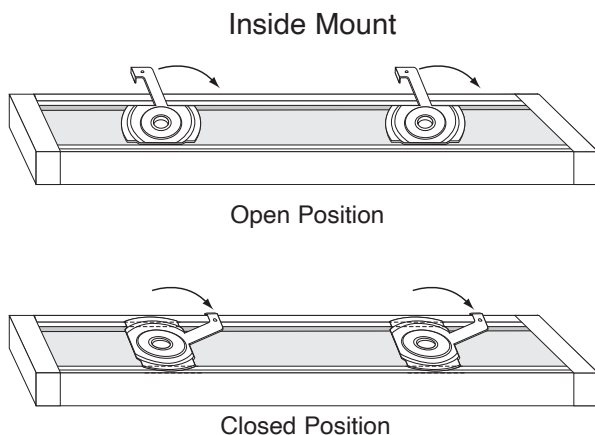
B. Outside Mount: We recommend you use a level for the following step. Position the bracket on the mounting surface, approximately 4" in from each end of the track/window frame. Then mount with two screws per bracket (Fig 2).

When more than two brackets are supplied, position the additional brackets evenly between the two end brackets. If spacer block were ordered, install them directly behind the outside mounting brackets (Fig 2-b).

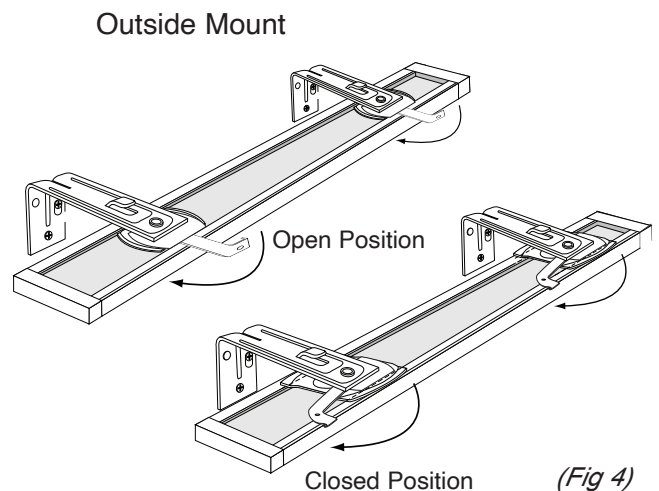
Step 2. Fitting the track into the brackets

Note: For Inside mount see (Fig 3), for Outside Mount see (Fig 4).

1. Align brackets in open position to allow the track to fully fit into the bracket.
2. Insert track into the brackets making sure the Velcro portion of the carriers is facing you.
3. Push the track up into the brackets and lock bracket arms by rotating bracket arm towards you. Closed position bracket will be flush with the back of the track.
4. It is recommended that 2 person help with installation.



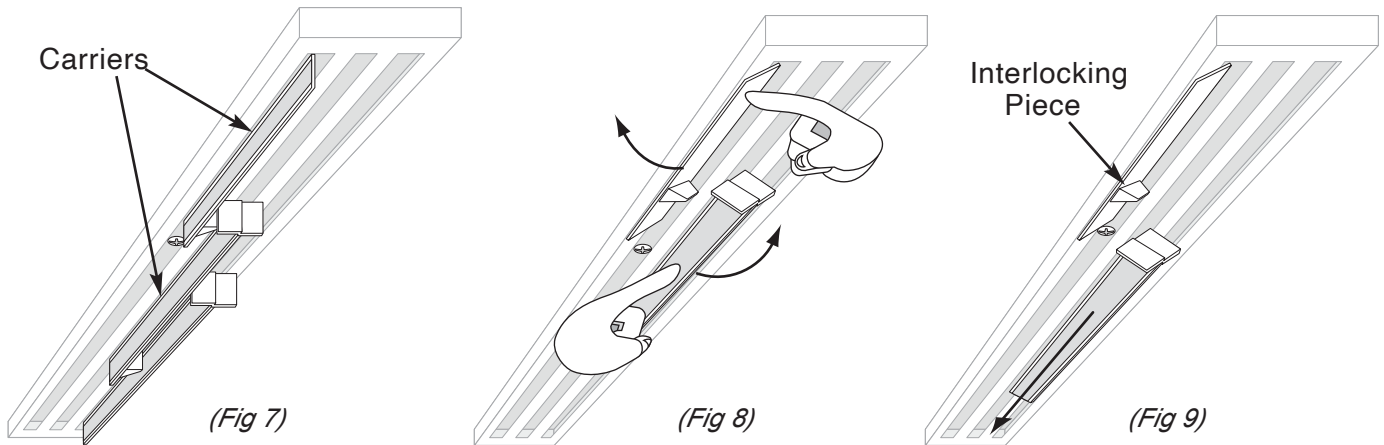
(Fig 3)



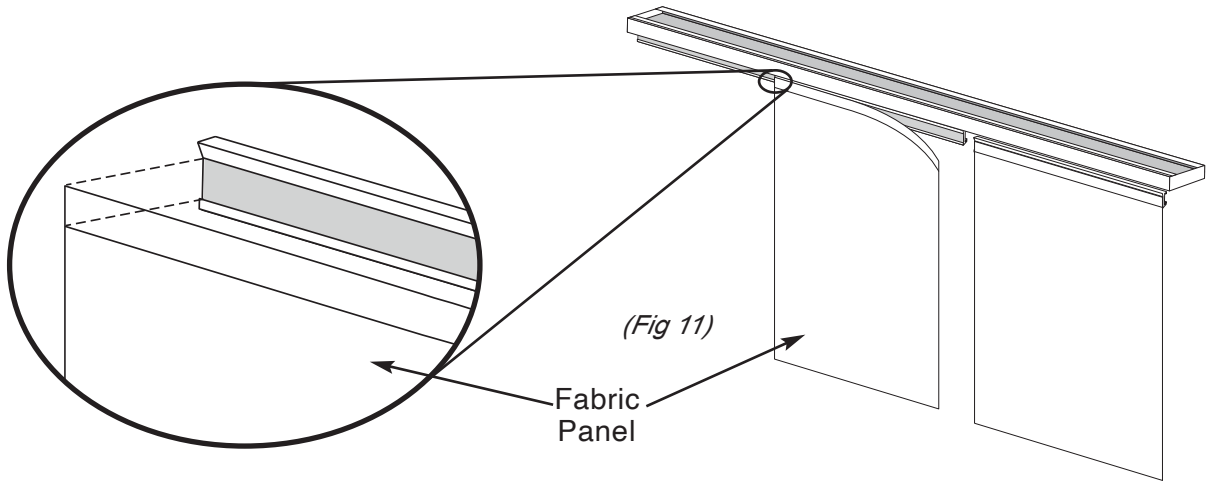
(Fig 4)

Step 4. Attaching the panels to the carriers

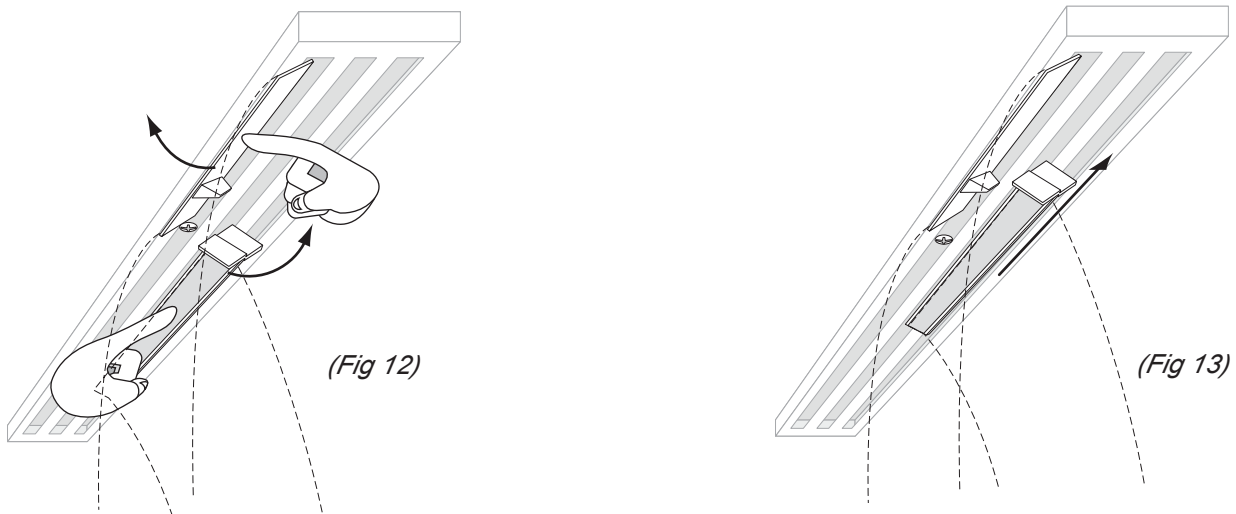
1. Close the blind fully (closed blind will have carriers running along the entire track). (Fig 7)
2. For easier installation, start with the carrier furthest back and expose it fully. To expose the carrier push that carrier back (towards the window) and lift the carrier in front of it forward (into the room). (Fig 8)
Slide the carriers in opposite directions to separate them from the interlocking piece. (Fig 9)



3. Align the Velcro strip of the fabric panel with Velcro section of the carrier. (Fig 10)
4. Start at one end of the panel and press the Velcro together. Continue this process for entire length of carrier to ensure a secure hold. (Fig 11)
5. Repeat steps 2-4 for all the carriers in the blind.



6. When complete slide the carriers to original position, manually. (Fig 12) & (Fig 13)



SPECIAL NOTE: BEFORE YOU BEGIN

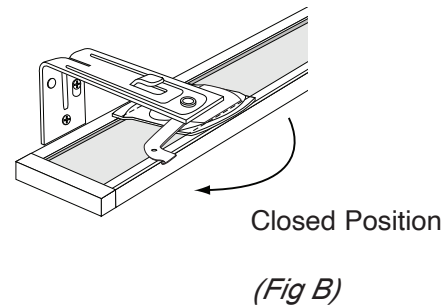
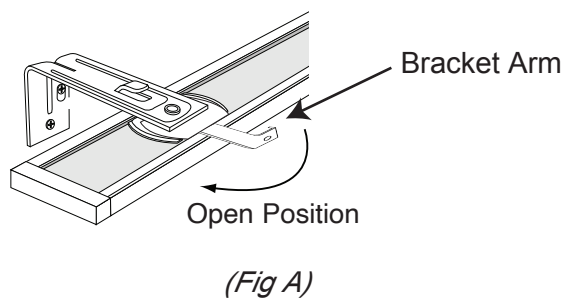
TO THE CUSTOMER:

PANEL TRACK INSTALL INSTRUCTIONS FOR 5 OR 6 PANELS WALL MOUNT:

If you have chosen a Panel track with these options:

Outside Wall Mount 5 or 6 Panels

Bracket Arm Installation is reversed for Panel Tracks with 5 or 6 Panels. Bracket Arm locks to the front of track. Follow instructions on this page. See Fig. A & B.



For Panel Tracks with 3 or 4 Panels, please follow instructions attached on the preceding page.

Look under: Fitting the track into brackets.

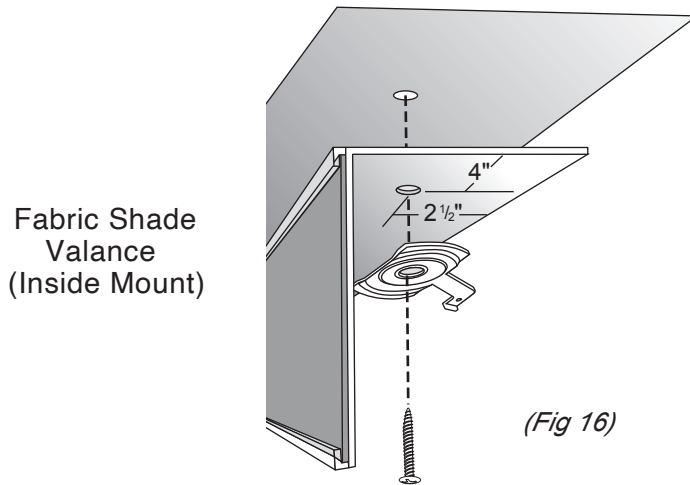
See Fig. 4. Outside Mount. Bracket Arm locks to the back of track.

Install instructions for PVC Valance are the same.

Valance Installation

For Fabric Shades: Inside / Ceiling Mount

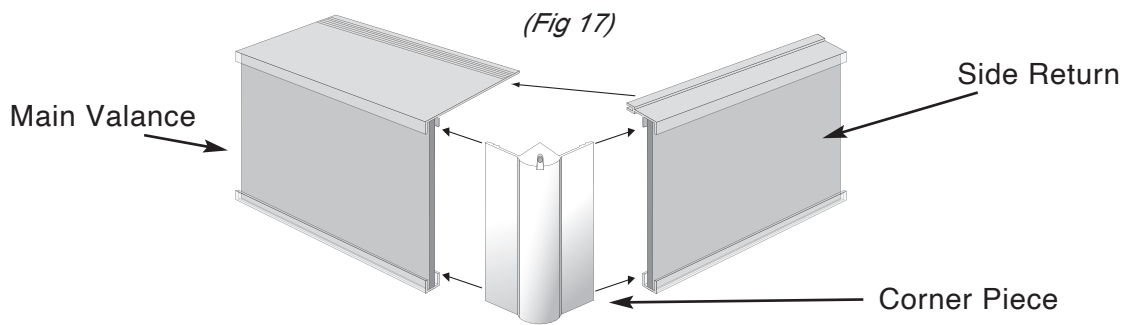
1. The bracket should be positioned approximately 4" in from each end of the valance and at least 2¹/₂" from the back of the frame or nearest obstruction. Then mount the bracket through the valance holes into the frame / ceiling with one screw. When more than two brackets are supplied, position the additional brackets evenly between the two end brackets along the length of the valance. (Fig 16)
2. After mounting the brackets and valance, **please follow instructions from Step 2 - Step 5 for Panel Track installation.**



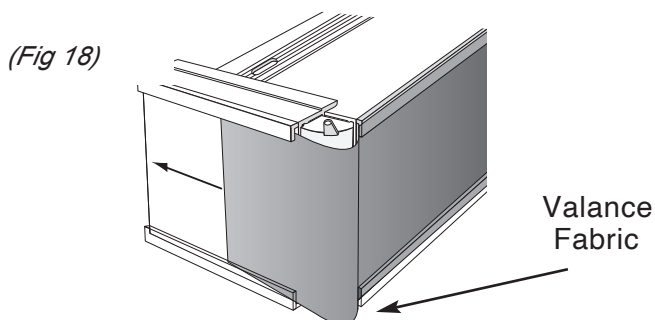
For Fabric Shades: Outside Mount

Before Starting: The valance is to be mounted after the total installation. Please follow the instructions above from Step 1 to Step 5 to install the Panel Track blind and then start with the valance.

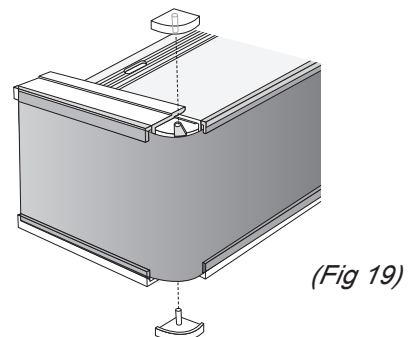
1. Attach the corner pieces into the back slot of the main valance section. Insert the side returns of the valance into the corner pieces. (Fig 17)



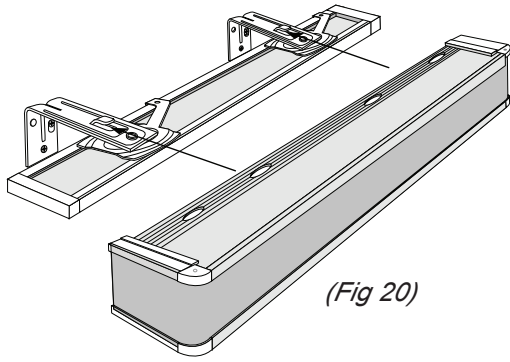
2. Slide the excess fabric from the end of main valance into the side return grooves. (Fig 18)



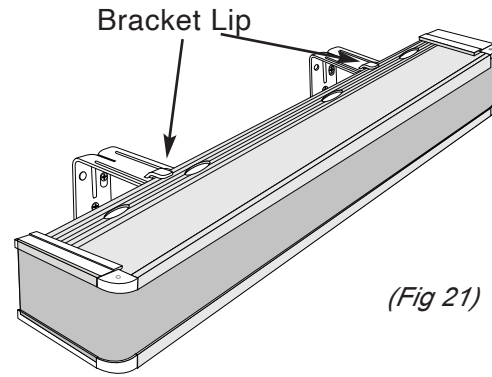
3. Insert the plastic top & bottom corners & push to secure the entire valance. (Fig 19)



4. Place the completely assembled valance on the bracket lip and push in. (Fig 20)
The valance should rest on the bracket. (Fig 21)



(Fig 20)



(Fig 21)

5. Do not use a hammer or mallet to lock valance in place.
Press with palm of hands to insert into bracket lip.