

SYMMETRY PANEL TRACK

INSTALLATION INSTRUCTIONS

Step 1 - Getting Ready

Remove the Symmetry Panel Track from the packaging. Tools you may need to install your shades; pencil, #1 and #2 Robertson screwdriver, level, and a drill.

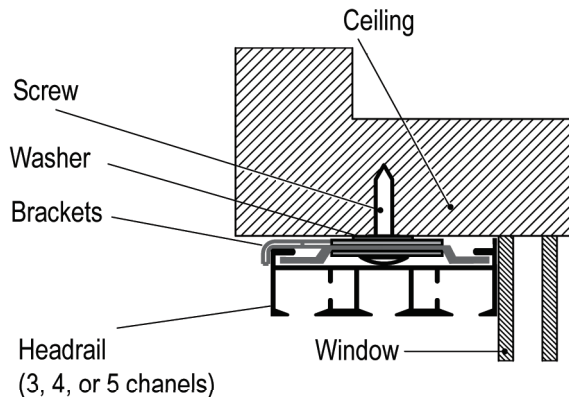
Step 2 - Installing Brackets

Note: Do not overtighten the screws. The brackets must be loose enough to rotate.

For Inside and Ceiling Mount Applications:

Measure 4" from each end of the track and mark the location of the installation clip on the ceiling with a pencil. A minimum distance of 1" between the track and the wall or obstruction is required for clearance when the installation clip arm is in the open position. Space the additional installation clips evenly between the 2 end clips and install them.

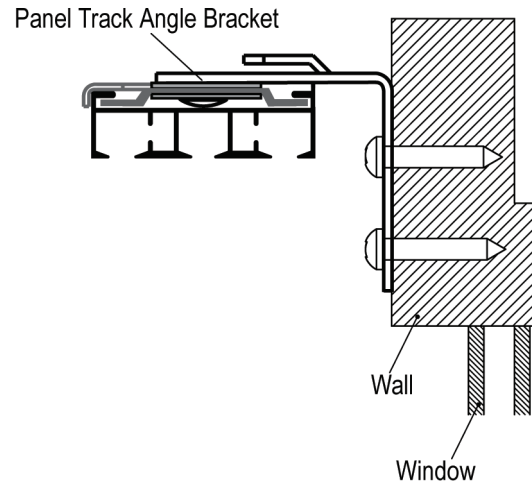
CEILING MOUNT



For Wall Mount Application:

Measure 4" from each end of the track and mark the location of the installation bracket on the wall with a pencil. Make sure that the brackets are level with each other. Space the additional installation brackets evenly between the 2 end brackets and install them.

WALL MOUNT



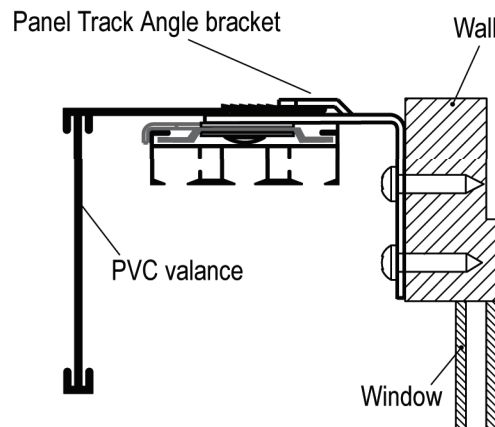
Step 3 - Installing the Track

With the brackets installed, place the track onto the brackets. The bracket arms may have to be rotated slightly to allow the track to fully engage the brackets. Start in the center and push the track straight up into the brackets. Rotate the bracket arms to the closed position.

Step 4 - Installing a PVC Valance

WALL MOUNT WITH A PVC VALANCE

- 1- Install the angle bracket
- 2- Clip the rail
- 3- Clip the valance (push into notch)



CEILING MOUNT WITH A PVC VALANCE

Install Valance first by screwing into ceiling. Follow Step 2 for installing blind.

Step 5 - Installing the Tension Device

The tension device can be mounted to the wall for outside mounts or to the window sill for inside mounts. Choose the position for your application. Make sure that the draw cord moves freely through the device. Attach with the screws provided.

Step 6 - Installing the Panels

Draw the cord so that all carriers are independent of each other blind in a closed position. This will make it much easier to install the panels onto the Velcro strips. Do not unroll the panels when installing. Keeping them in a rolled position allows for easy handling and installation. Starting with the back panel, align the Velcro strip on the panel with the Velcro strip on the carrier. Start at one end and press the Velcro strips together for a secure attachment.

Step 7 - Operating Your Symmetry Panel Track

To traverse the panels, pull the draw cord or wand to move the panels to the desired position.

Care and Maintenance

Minimal care and cleaning is needed to maintain the beauty of your Symmetry Panel Track.

To Dust; use a soft clean cloth.

To Vacuum; use soft brush or dust head attachment.

WARNING

- Young children can strangle in the loop of pull cords, chain and bead cords, and cords that run through window coverings. They can also wrap cords around their necks. To avoid strangulation and entanglement, keep cords out of reach of young children. Also,
1. Install safety devices that remove the cord loop or reduce access to cords, and
 2. Move cribs and furniture away from window covering cords.