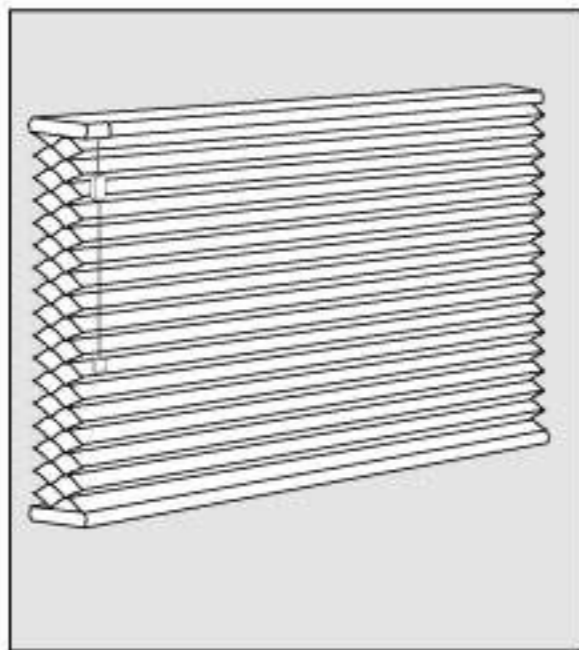


HONEYCOMB STANDARD RECTANGULAR SHADES



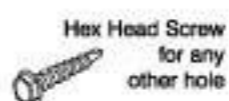
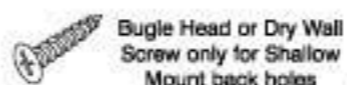
INSTALLATION INSTRUCTIONS

BASICS

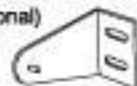
A few simple tools are required:

- Measuring tape
- Power drill, drill bits
- Hex head and/or Phillips driver bit
- Pencil

Additional fasteners other than those sent with your shade may be required depending on the mounting surface. Wallboard and plaster require the use of anchors such as expansion or toggle bolts. Brick, tile or stone need special plugs and drill bits. Remember to always pre-drill holes **in wood to avoid splitting**.



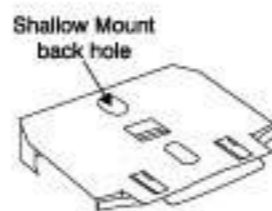
Hold Down Bracket (Optional)



Extension Bracket (Optional)



Our Honeycomb shades are constructed to be hung as either an inside mount or an outside mount. The installation bracket can be mounted inside the window opening, for an inside mount, or on the molding or wall above the window for an outside mount. The extension bracket and the hold down bracket are optional items requested at the time of ordering the shade. The extension bracket provides projection of the installation bracket in order to clear obstructions. The hold down bracket keeps the shade from swaying and is often used for installation on door windows.

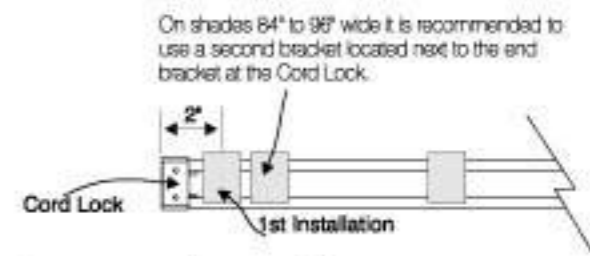


BRACKET INSTALLATION

Shades are shipped with the required number of brackets for proper installation. End brackets should be located with centerlines 2" in from each end. Depending on the width of the shade, additional brackets may be necessary—evenly spaced between the two end brackets.

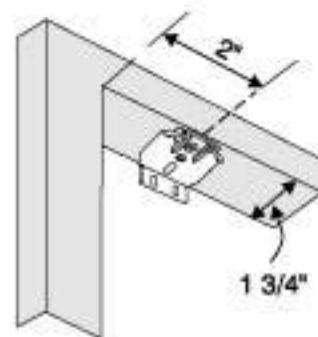
For shade widths of:	Use this number of brackets:
Up to 40"	2
40" to 72"	3
72" to 84"	4
84" and up	5

Using the installation bracket as a template, measure and mark the center lines. When mounting brackets, make sure they are in line and level.



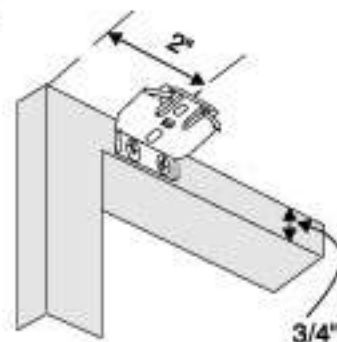
INSIDE MOUNT

The brackets are mounted flat against the top sill surface. Place the bugle head screw through the hole closest to the front of the bracket. To fully recess the shade requires a flat surface with a minimum depth of 1 3/4". Shallow mounting requires 1/2" minimum.



OUTSIDE MOUNT

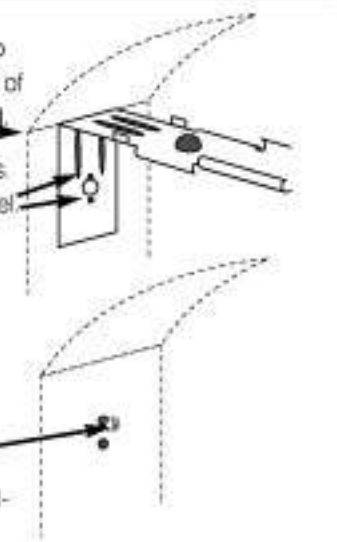
The brackets are mounted with two bugle head screws through the back end of the bracket flat against the window molding or the wall above the window. The bracket requires a minimum surface $3/4"$ high.



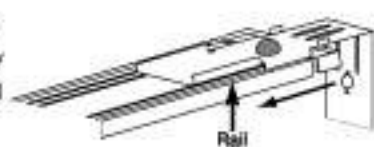
- Hook one bracket onto the screw in the window frame, using the keyhole slot. Bring the other end bracket over the screw at the other side of the frame. Slide down, flexing bracket inward until the screw engages in the keyhole slot.
- Make sure both brackets are slipped down all the way in the keyhole slot so that the screw is in the top portion of the keyhole slot. Install a screw in the bottom hole of each bracket. Tighten all screws.

SIDE MOUNT BRACKET INSTALLATION

- Line up the bracket top with the desired height of the top of the headrail.
- Mark holes for screws. Brackets must be level. Remove brackets and drill holes.
- Insert bugle head screws for keyhole slots only. Approximately $1/8"$ of the screw should be left protruding.

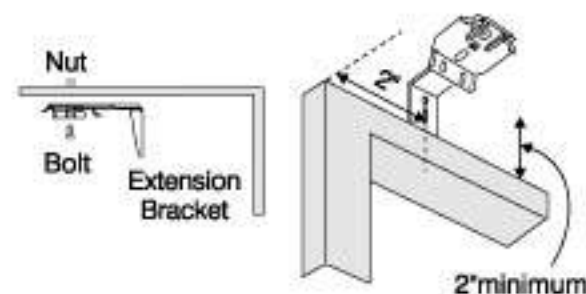


- Pull the cord lock assembly partially out of the headrail and slide the bracket on as shown. Push the cord lock assembly and bracket back all the way into the rail.
- Remove the endcap from the opposite end of the headrail. Slide the remaining side mount bracket on the headrail. Replace the end cap before sliding the bracket all the way into the headrail.



OPTIONAL EXTENSION BRACKETS

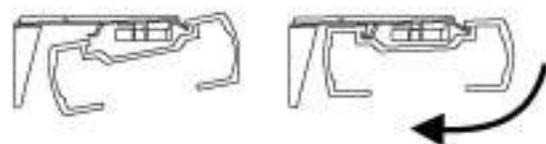
Optional extension brackets are used to project the back of the shade up to $2\ 3/8"$ from the mounting surface. Attach the installation bracket to the extension bracket with the nut and bolt provided.



HANGING THE SHADE

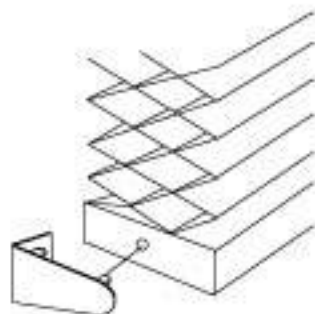
Unwind the cord from the shade but keep the rubber band around the shade stack.

- Hold the shade up near the brackets and insert the front clip of the bracket into the front groove of the rail.
- Make sure the shade is centered in the window opening.
- Push the rail back and up until the back clips of the bracket are inserted in the back groove of the rail. To remove shade, reverse procedure.



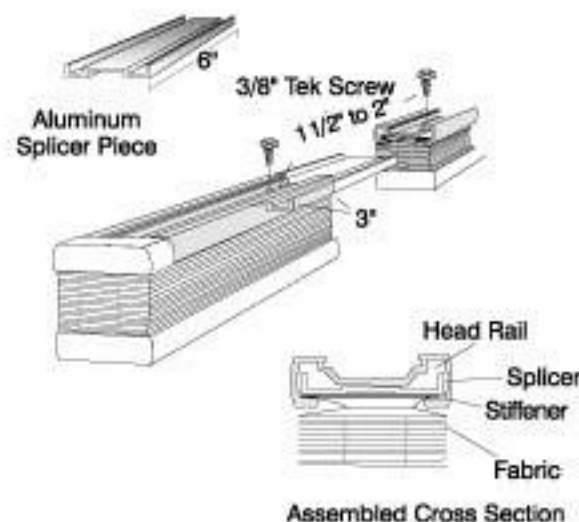
OPTIONAL HOLD DOWN BRACKET

Optional hold down brackets are mounted with the supplied screws. With the shade at its proper drop, place the pin of each hold down into the hole in each end cap and mark the screw holes. Make sure the pins are level and aligned. Raise the shade, then screw the hold down bracket into the mounting surface.



TWO-ON-ONE HEADRAIL SPLICER

For shades ordered as Two-on-One Headrail using the splicer piece, insert splicer in headrail of both shades as shown. Lock into place using $3/8"$ Tek Screws provided.



CORDLOCK OPERATION

To lower or release shade, pull the cord inward toward the center of the shade.



To raise or lock shade, pull the cord straight down and outward toward the edge of the shade.

PROTECT YOUR CHILDREN

Be aware that it is possible for children to strangle in window covering cords. To reduce the occurrence of accident, all cords must be kept out of the reach of children, including infants. Cord cleats are an effective way to implement this essential precaution.

Mount the cord cleat at a safe height, taking into account furniture or other objects upon which a child may climb. Then, after each use of the shade, simply wrap the excess cord around the cleat. It's fast, easy and safe.

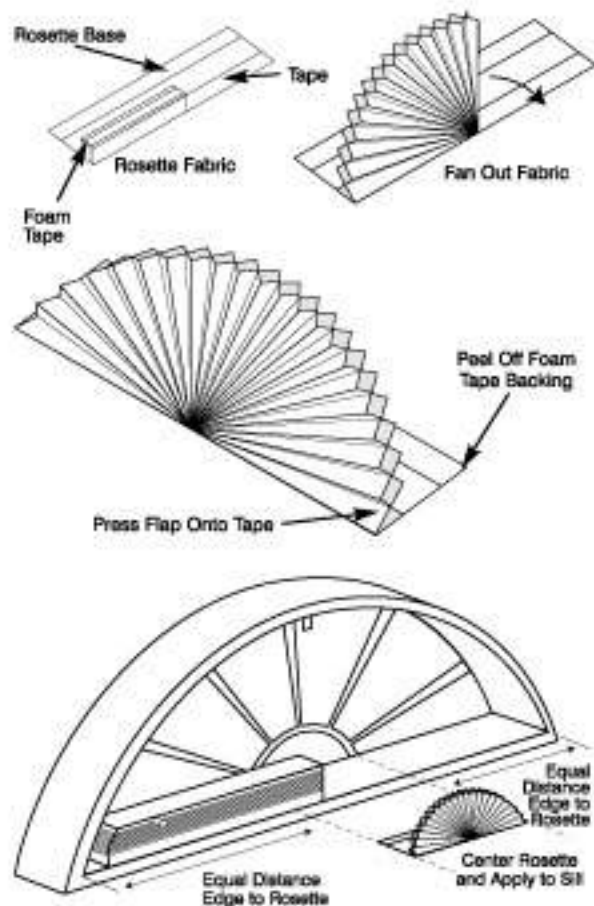
To protect your children, we are pleased to provide cord cleats free of charge with every shade that we manufacture.

CLEANING AND CARE

The shade fabric is easy to care for. Regular dusting with a feather duster or vacuum cleaner brush is recommended. Most stains can be blotted with a damp sponge and mild detergent. For problem stains, the shade can be removed from the installation brackets and soaked in warm water. When damp, raise shade tightly to re-crisp pleats. Before using anything stronger than mild detergent and lukewarm water, test an unobtrusive corner of the shade. If you have any questions, call your dealer for advice.



MOUNTING THE ROSETTE



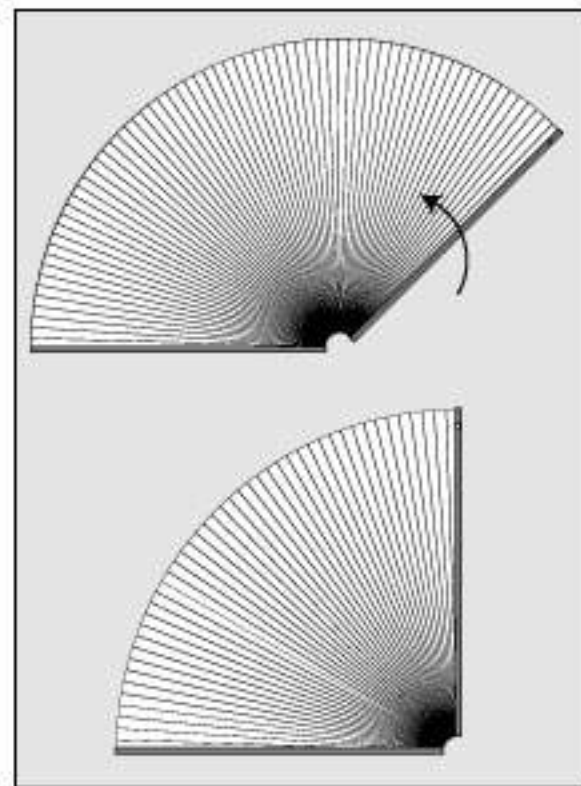
The rosette is sent in a closed stack. Peel off the release liner from the tape on the top front of the rosette base. Fan out the fabric and press the fabric onto the tape as shown.

Peel off the release liner from the foam tape on the back bottom of the rosette base and attach the rosette to the sill as shown. The rosette should be centered in the window opening.

CLEANING AND CARE

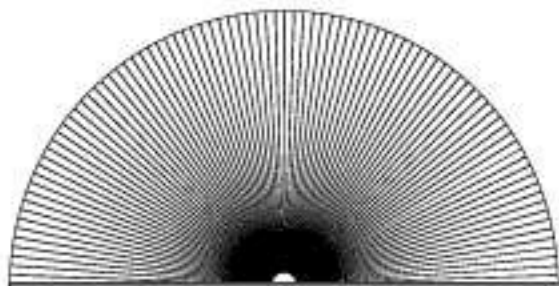
The shade fabric is easy to care for. Regular dusting with a leather duster or vacuum cleaner brush is recommended. Most stains can be blotted with a damp sponge and mild detergent. For problem stains, the shade can be removed from the mounting brackets and soaked in warm water. When damp, raise shade lightly to re-crisp pleats. Before using anything stronger than mild detergent and lukewarm water, test an unobtrusive corner of the shade. If you have any questions, call your dealer for advice.

HONEYCOMB ARCHES AND QUARTER CIRCLES



INSTALLATION INSTRUCTIONS

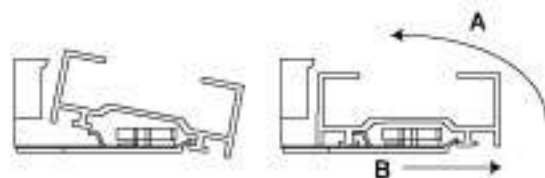
STATIONARY FAN STYLE ARCH



Remove end caps from the rail. Slide the fabric stack into the middle of the bottom rail. Fan the fabric out and slide the free stiffened fabric into the rail. Use care when sliding fabric into the rail so that you don't tear the fabric on the corners of the rail. Slide the stiffened cells into the rail so that the ends of the stiffener match up with the ends of the bottom rail. Inside the center of the rail, mark where the stiffened fabric ends. Peel the paper liner off the piece of plastic stiffener provided and adhere to the inside of the bottom of the rail. Replace end caps and insert rail into installation brackets.

TO MOUNT INSTALLATION BRACKETS

1. Catch front groove of rail with front groove of bracket.
2. Center rail in opening.
3. Push the rail back and down to catch back of rail in bracket (A). Then release (B).



Unwind the cord from the shade but keep the rubber bands around the shade stack.

1. Hold the shade down near the brackets and insert the front clip on the bracket into the front groove of the rail.
2. Make sure the shade is centered in the window opening.

3. Push the rail back and down until the back clips of the brackets are inserted in the back groove of the rail. Then release the front pressure to allow the back clips to engage.

To remove the shade, reverse the procedure.

Place an attachment hook at the top center of the arch and others evenly spaced down each side. Using a needle or awl, make a hole on the crease line of the white back cell at the position of each attachment hook. Hang fabric on attachment hook.

SIDE MOUNT BRACKET INSTALLATION

1. Line up the bracket top with the desired height of the top of the headrail.

2. Mark holes for screws.

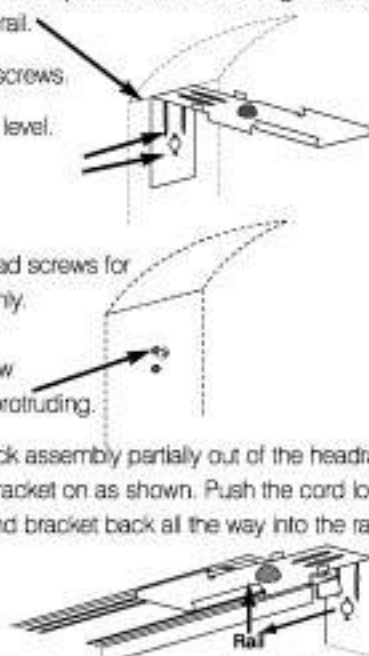
Brackets must be level.

Remove brackets and drill holes.

3. Insert bugle head screws for keyhole slots only. Approximately 1/8" of the screw should be left protruding.

4. Pull the cord lock assembly partially out of the headrail and slide the bracket on as shown. Push the cord lock as assembly and bracket back all the way into the rail.

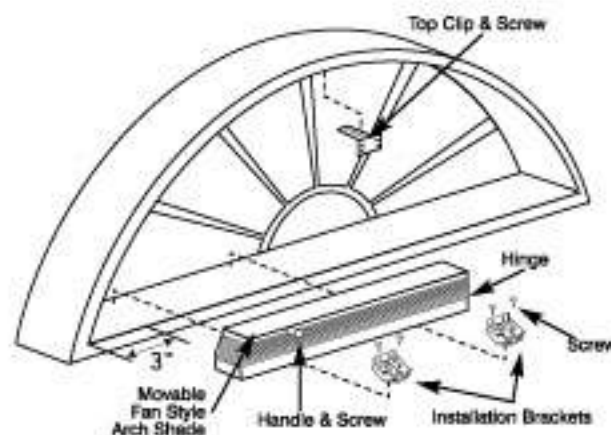
5. Remove the endcap from the opposite end of the headrail. Slide the remaining side mount bracket on the headrail. Replace the end cap before sliding the bracket all the way into the headrail.



6. Hook one bracket onto the screw in the window frame, using the keyhole slot. Bring the other end bracket over the screw at the other side of the frame. Slide down, flexing bracket inward until the screw engages in the keyhole slot.

7. Make sure both brackets are slipped down all the way in the keyhole slot so that the screw is in the top portion of the keyhole slot. Install a screw in the bottom hole of each bracket. Tighten all screws.

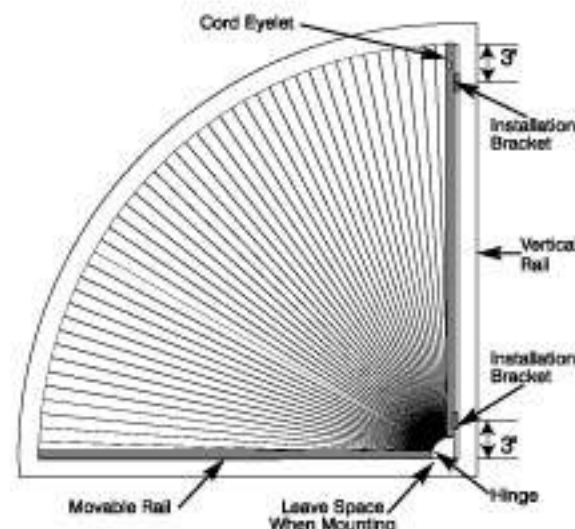
MOVABLE FAN STYLE ARCH



For shades stacking on the left, mount one installation bracket approximately 3" from the left side of the opening and the other bracket 3" to the left of the center line. Mount the top clip at the top of the arch opening. Make sure that there is clearance for the moving rail to pass behind the clip. The length of the top clip can be trimmed with a pair of tin snips.

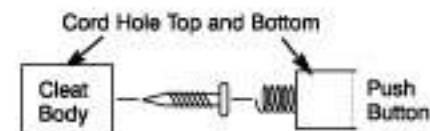
Apply downward pressure on the handle when operating the shade to clear the top clip.

MOVABLE QUARTER ROUND SHADE



Mount the brackets to the inside vertical surface. Place one bracket approximately 3" from the bottom and the other bracket 3" from the top. Mount the vertical shade rail into the brackets as shown. The cord eyelet is on the top of the vertical rail.

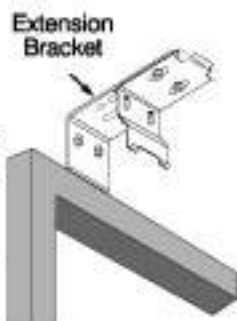
Mount the spring loaded cord cleat on the frame or wall at a convenient height. Disassemble the push cleat by pulling the push button out from the cleat body and install with the screw provided. Replace the push button in the cleat body. Push the button all the way in and string the single shade cord through the cleat. Add the tassel.



Pull the cord down to bring the shade to a stack position. The shade stacks against the vertical rail. Push the button in the release the cord and lower the shade across the window.

EXTENSION BRACKETS

Extension brackets can project the installation brackets up to 2 1/2" away from the mounting surface. Position the brackets at the locations you marked and use two screws to attach them. Be sure the tops of the extension brackets are perfectly horizontal and aligned at the same height.

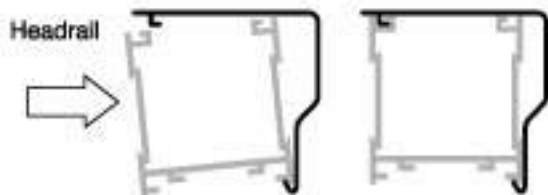


Connect the installation brackets with the machine screws and speed nuts which are included with each extension bracket.

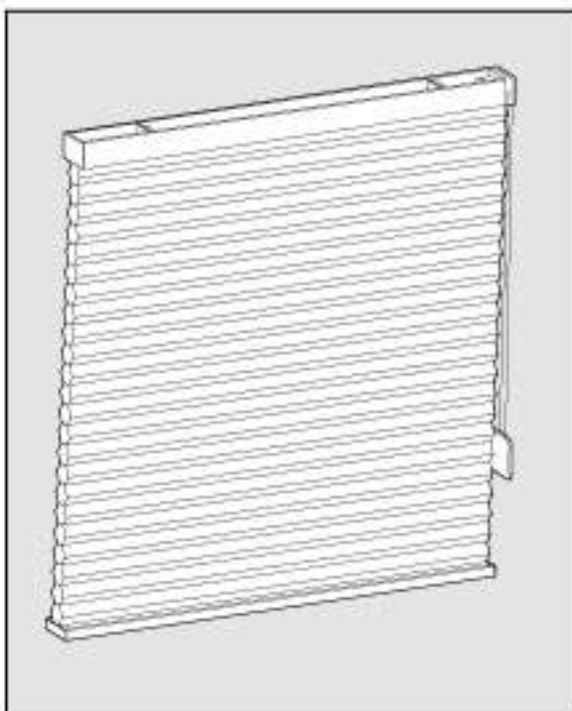
Be sure to use the same holes on all the extension brackets, so that each installation bracket projects the same distance from the mounting surface. Indentations are cast into the extension brackets between the holes. Before mounting an extension bracket, any unneeded length may be cut off at one of the indentations.

MOUNTING THE HEADRAIL

Unwind the cord from around the shade assembly and let it hang. With the front of the shade facing you, slip the headrail into the installation brackets. First, insert the back lip on the bottom of the headrail into the bottom groove on the brackets, making sure no fabric gets trapped between the headrail and the bracket. Then push on the rail until the top groove snaps into place, as shown.



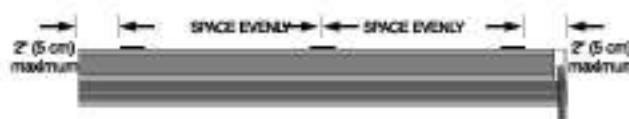
HONEYCOMB CONTINUOUS CORD SYSTEM



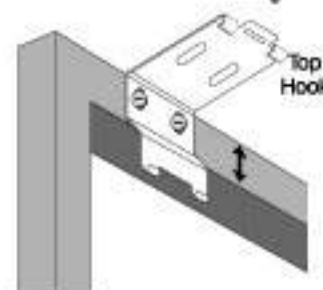
INSTALLATION & REMOVAL INSTRUCTIONS

MOUNT THE BRACKETS

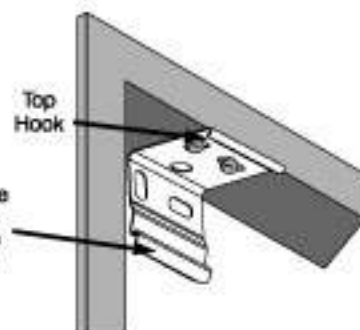
Mount the brackets to the wall or window frame, with the outside brackets no further than 2 inches (5 cm) from the ends of the headrail. On wide shades, space the additional bracket(s) at equal intervals.



For wall or outside mounts, use the rear bracket holes.



For inside or ceiling mounts, use the top bracket holes.

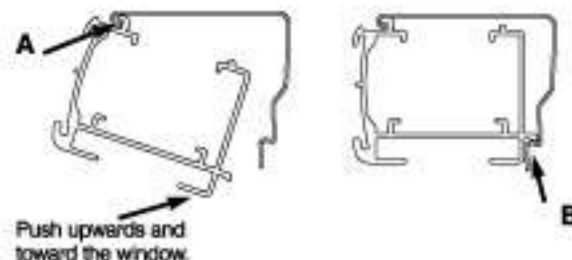


MOUNT THE HEADRAIL

First lower the shade to about an inch below the headrail. This will help keep the fabric from getting caught between the brackets and the headrail.

Position the headrail with the front lip (A) resting on the top hooks of all brackets. Make sure no fabric is pinched between the brackets and headrail.

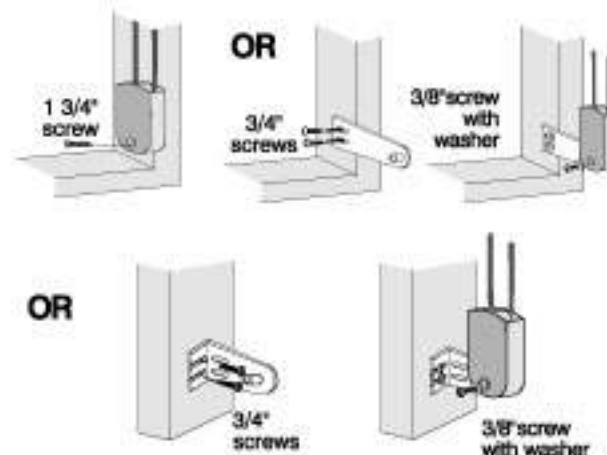
Push the bottom of the headrail firmly upwards and toward the window until the groove at the bottom of the headrail snaps into place, (B) as shown.



INSTALL THE TENSION DEVICE

The Tension Device reduces the hazards of strangulation and entanglement of young children by limiting access to the control cord. Anchor the Tension Device that is attached to the blind's control cord, to the window frame or wall, so that young children cannot pull the cord around their necks.

- Lower the blind
- Hold the Tension Device upright and position the Tension Device using one of the three methods shown.
- Position the Tension Device so that the Tension Device and the control cord do not interfere with raising or lowering the blind. The Tension Device should be installed without stretching or pulling down on the control cord. Stretching the cord will cause excessive wear. Do not twist or cross the control cord.



OPERATING THE SHADE

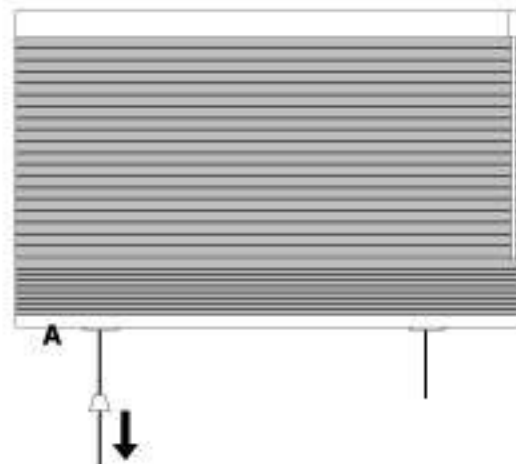
Operate the shade by pulling down on one side of the cord. One side of the cord raises the shade, the other side lowers the shade. Do not lift the bottom rail with your hands. Also, be careful not to place objects on the window sill that will interfere with operating the shade or cause it to hang unevenly.

If the shade does become crooked, simply lower it as far as it will go and then raise it again. This will ensure that all the lift lines inside the shade are pulling up evenly.

ADJUST LENGTH OR EQUALIZATION

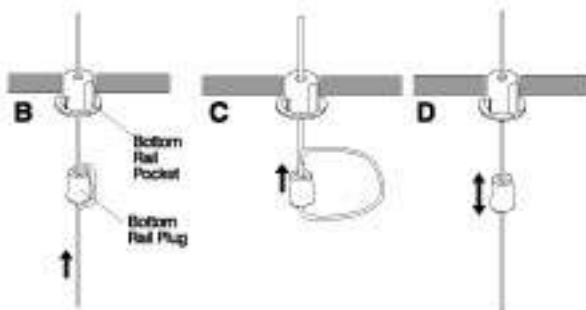
If the shade length and equalization is satisfactory, simply trim the excess cord hanging below the bottom rail.

If adjustments are necessary, pull the excess cord at the bottom of the shade down until the Bottom Rail Plug is released (fig. A).



Push the cord up through the Bottom Rail Plug (figs. B & C).

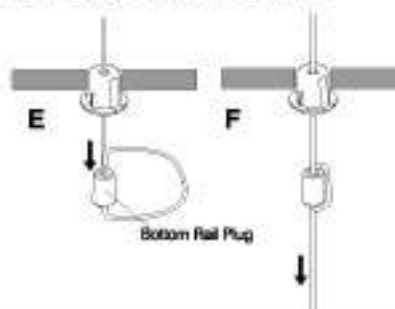
Adjust the position of the plug as necessary (fig. D)



Feed the cord back through the Bottom Rail Plug (figs. E & F).

Push the Bottom Rail Plug back into the Bottom Rail Pocket.

When bottom rail adjustments have been made, trim the excess cord hanging below the bottom rail.



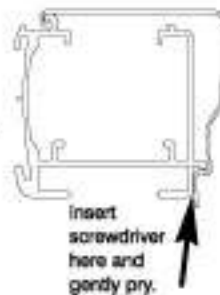
REMOVING A SHADE

To remove a shade, insert a screwdriver between the headrail and bottom back of the bracket (tab which extends out slightly from each bracket).

Gently pry the screwdriver to release the bracket from the headrail.

Take care not to damage the painted finish of the headrail.

As you release the brackets, support the headrail to keep it from falling.



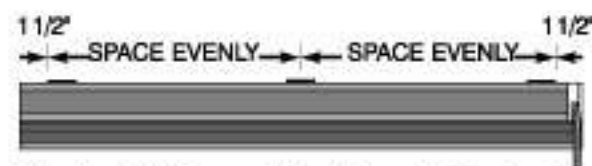
ADDITIONAL INSTRUCTIONS

for the Heavy Duty Continuous Cord System used with the 3/4" Single Cell Translucent, 3/4" Single Cell Blackout, and the 1/2" Double Cell Translucent fabrics.

BRACKET SPACING

Bracket spacing is the same for both inside and outside mounts. Two installation brackets are positioned on the mounting surface so that their edges will be 1 1/2" from the ends of the shade. If more than two brackets are required (see chart), additional brackets are spaced evenly between the two end brackets. Measure and mark all bracket locations.

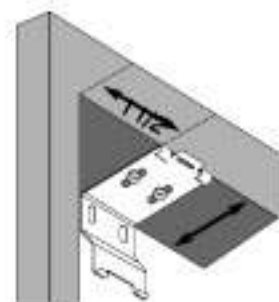
Note: Check to be sure that no installation brackets will be positioned directly above any of the tape spools located inside the headrail.



Shade Width	Number of Brackets
to 31"	2
31" to 79"	3
79" to 127"	4
127" to 174"	5

INSIDE MOUNT

To inside mount a Continuous Cord Loop shade, attach the tops of the installation brackets to the top sill of the window opening. To attach the brackets, the flat surface of the sill must be at least 1 1/4" deep. To fully recess the shade, the flat surface



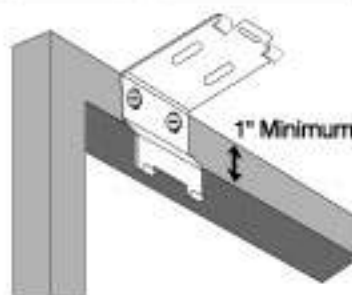
2" Fully Recessed Minimum Depth

must be at least 2" deep. Add to these minimum depths the dimension of any obstruction to shade movement, such as a window crank or handle. Two screws are used to attach each bracket. Mount the brackets at the locations you marked, with their front edges aligned.

OUTSIDE MOUNT

Mount the ends of the installation brackets on a flat vertical surface 1" high. Two screws are used to attach each bracket.

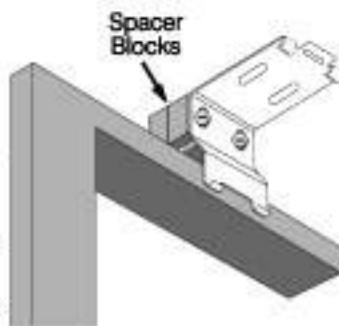
Mount the brackets at the locations you marked. Before tightening the screws, check to be sure the tops of the installation brackets are perfectly horizontal and aligned at the same height.



SPACER BLOCKS

Spacer blocks are used to project the installation brackets away from the mounting surface when additional shade clearance is needed.

Each spacer block increases clearance by 1/2"; use a maximum of three per installation bracket. Check that your mounting screws are long enough to securely attach the installation bracket and the spacer blocks. The solid side of the blocks should face the mounting surface. As with all outside mount installations, make sure the tops of the installation brackets are perfectly horizontal and aligned at the same height.



BASICS

A few simple tools are required:

- Measuring tape
- Power drill, drill bits
- Hex head and/or Phillips driver bit
- Pencil

Additional fasteners other than those sent with your shade may be required depending on the mounting surface. Wallboard and plaster require the use of anchors such as expansion or toggle bolts. Brick, tile or stone need special plugs and drill bits. Remember to always pre-drill holes in wood to avoid splitting.



Standard Mounting Bracket



Optional Extension Bracket



Optional Spacer Block



Optional Hold Down Bracket

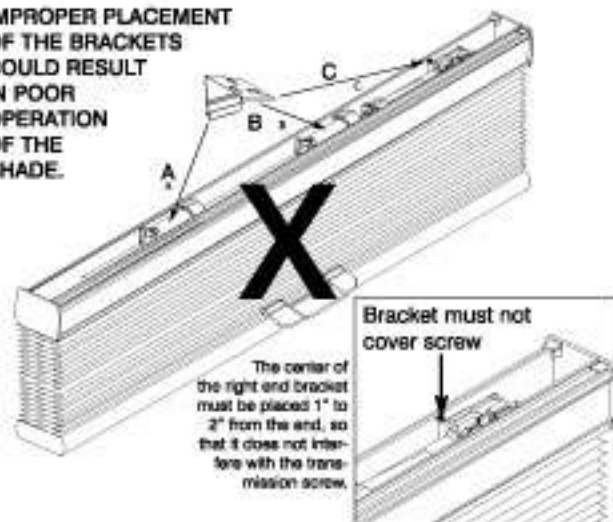
BRACKET INSTALLATION

Shades are shipped with the required number of brackets for proper installation. End brackets should be located to the outside of the cord spools. Depending on the width of the shade, additional brackets may be necessary, evenly spaced between the two end brackets.

For shade widths of:	Use this Number of brackets:
Up to 40"	2
40" - 72"	3
72" - 84"	4
84" and up	5

Do Not place installation brackets over clear plastic spool covers (a & b) or over the transmission screw (c).

IMPROPER PLACEMENT OF THE BRACKETS COULD RESULT IN POOR OPERATION OF THE SHADE.



Using the Installation Bracket as a template, measure to the edge of the bracket and mark the hole locations with a pencil for drilling. When mounting brackets, make sure they are in line and level.

Brackets must be in line and level. Shim brackets on inside mounts if necessary. The headrail must be level for the shade to operate properly.



Inside or Ceiling Mounts

Use the top bracket holes.

Top Hook

Note: Release tab is always the bottom of the bracket



Wall or Outside Mounts

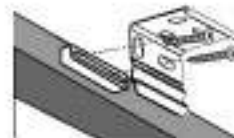
Use the rear bracket holes.

Top Hook

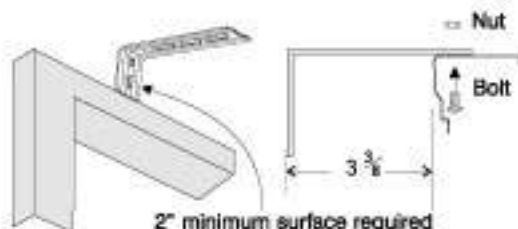


Outside Mount with Spacer Block

Optional Spacer block will project bracket 3/8".



Outside Mount with Extension Bracket



INSERTING THE HEADRAIL

First, lower the bottom rail about an inch. This will help keep the fabric from getting caught between the brackets and the headrail.

Position the headrail with the front lip (A) resting on the top hooks of all the brackets. Make sure that no fabric is pinched between the brackets and the headrail.

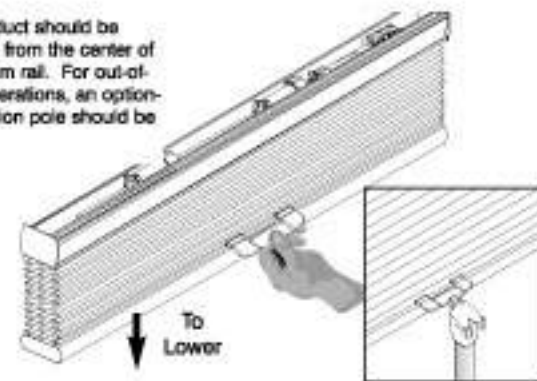
Push the bottom of the headrail firmly upwards and toward the window until the groove at the bottom of the headrail snaps into place, (B) as shown.



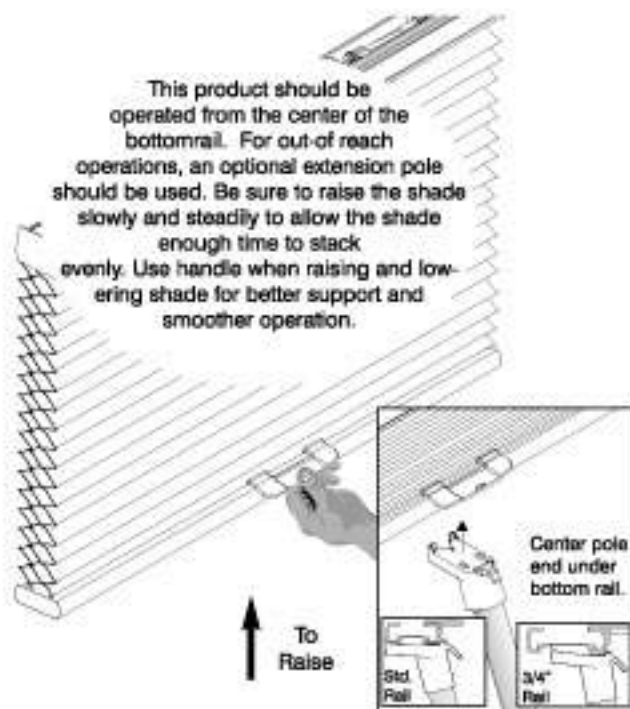
OPERATION

To lower the shade, pull down on the handle which is secured to the bottom rail. To raise the shade, push the bottom rail up. The shade will hold at any position when the bottom rail is released.

This product should be operated from the center of the bottom rail. For out-of-reach operations, an optional extension pole should be used.

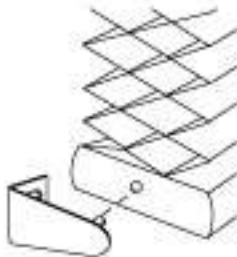


This product should be operated from the center of the bottom rail. For out-of-reach operations, an optional extension pole should be used. Be sure to raise the shade slowly and steadily to allow the shade enough time to stack evenly. Use handle when raising and lowering shade for better support and smoother operation.



OPTIONAL HOLD DOWN BRACKETS

Optional Hold Down Brackets are mounted with the supplied screws. With the shade at its proper drop, place the pin of each Hold Down into the hole in each End Cap and mark the screw holes. Make sure the pins are level and aligned. Raise the shade, then screw the Hold Down Bracket into the mounting surface.



REMOVING THE HEADRAIL

To remove a shade, insert a screwdriver between the headrail and the bottom back of the bracket (tab which extends out slightly from each bracket).

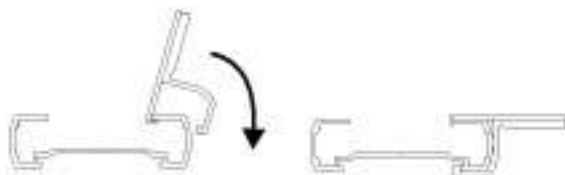
Gently pry the screwdriver to release the bracket from the headrail. Take care not to damage the painted finish of the headrail.



As you release the brackets, support the headrail to keep it from falling.

INSTALLING THE HANDLE

Locate the center of the bottom rail. Gently lift fabric out of the way. Hook the top of the handle over the front lip on the bottom rail. Rotate handle down until it snaps into place.



CLEANING AND CARE

The Honeycomb fabric is easy to care for. Regular dusting with a feather duster or vacuum cleaner brush is recommended. Most stains can be blotted with a damp sponge and mild detergent. **IMPORTANT: Do Not immerse headrail in water.** When damp, raise shade tightly to re-crisp pleats. Before using anything stronger than mild detergent and lukewarm water, test an unobtrusive corner of the shade. If you have any questions, call your dealer for advice.

TROUBLE SHOOTING

Problem: Shade will not stay down.

Cause: Because the shade was fabricated primarily in the closed position, the fabric may want to spring up.

Repair: Gently pull down on a section of cells to relax the pleats (see diagram below). Repeat with another section of cells until the fabric is sufficiently relaxed. Do not tightly stack the shade for 24 hrs.



Gently stretch Fabric.
Pull evenly on each side.

DELUXE CORDLESS

Installation Instructions



Please take a few minutes to read through these instructions before beginning.

PROTECT YOUR CHILDREN

Be aware that it is possible for children to strangle in window covering cords. To reduce the occurrence of accident, all cords must be kept out of the reach of children, including infants. Cord cleats are an effective way to implement this essential precaution.



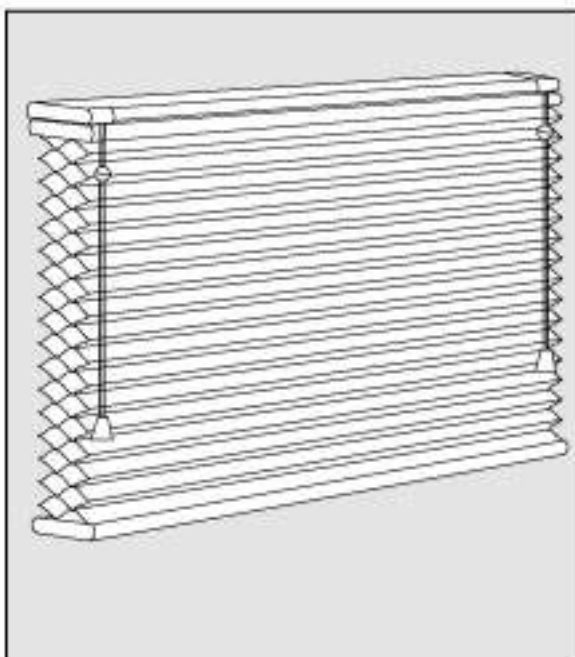
Mount the cord cleat at a safe height, taking into account furniture or other objects upon which a child may climb. Then, after each use of the shade, simply wrap the excess cord around the cleat. It's fast, easy and safe.

To protect your children, we are pleased to provide cord cleats free of charge with every shade that we manufacture.

CLEANING AND CARE

The shade fabric is easy to care for. Regular dusting with a feather duster or vacuum cleaner brush is recommended. Most stains can be blotted with a damp sponge and mild detergent. For problem stains, the shade can be removed from the installation brackets and soaked in warm water. When damp, raise shade tightly to re-crisp pleats. Before using anything stronger than mild detergent and lukewarm water, test an unobtrusive corner of the shade. If you have any questions, call your dealer for advice.

HONEYCOMB TOP-DOWN/BOTTOM-UP AND DAY-NIGHT SHADES



INSTALLATION & OPERATING INSTRUCTIONS

BASICS

A few simple tools are required:

- Measuring tape
- Power drill, drill bits
- Hex head and/or Phillips driver bit
- Pencil

Additional fasteners other than those sent with your shade may be required depending on the mounting surface. Wallboard and plaster require the use of anchors such as expansion or toggle bolts. Brick, tile or stone need special plugs and drill bits. Remember to always pre-drill holes in wood to avoid splitting.

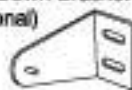


Bugle Head or Dry Wall Screw only for Shallow Mount back holes



Hex Head Screw for any other hole

Hold Down Bracket (Optional)



Extension Bracket (Optional)



Our Top-Down/Bottom-Up and Day-Night shades are constructed to be hung as either an Inside Mount or an Outside Mount. The Installation Bracket can be mounted inside the window opening, for an inside mount, or on the molding or wall above the window for an outside mount. The Extension Bracket and the Hold Down Bracket are optional items requested at the time of ordering the shade. The Extension Bracket provides projection of the Installation Bracket in order to clear obstructions. The Hold Down Bracket keeps the shade from swaying and is often used for installation on door windows.

Shallow Mount back hole



Shallow Mount back hole

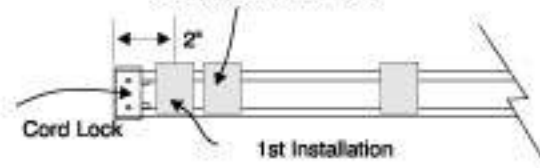
BRACKET INSTALLATION

Shades are shipped with the required number of brackets for proper installation. End brackets should be located with centerlines 2" in from each end. Depending on the width of the shade, additional brackets may be necessary evenly spaced between the two end brackets.

For shade widths of:	Use this number of brackets:
Up to 40"	2
40" to 72"	3
72" to 84"	4
84" and up	5

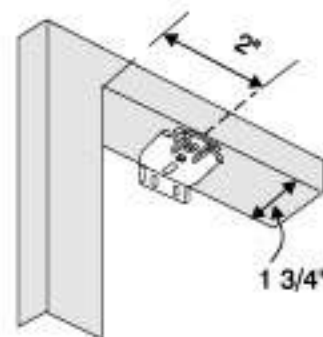
Using the Installation Bracket as a template, measure and mark the center lines. When mounting brackets, make sure they are in line and level.

On shades 84" to 96" wide it is recommended to use a second bracket located next to the end bracket at the Cord Lock.



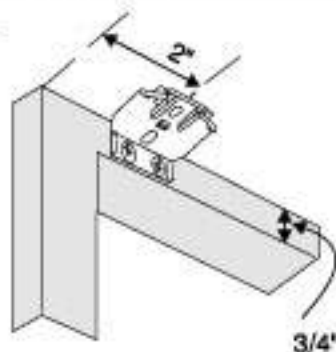
INSIDE MOUNT

The brackets are mounted flat against the top sill surface. Place the bugle head screw through the hole closest to the front of the bracket. To fully recess the shade requires a flat surface with a minimum depth of 1 3/4". Shallow mounting requires 1/2" minimum.



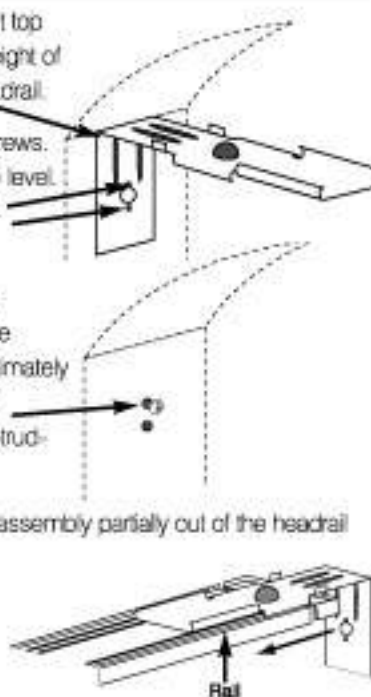
OUTSIDE MOUNT

The brackets are mounted with two bugle head screws through the back end of the bracket flat against the window molding or the wall above the window. The bracket requires a minimum surface $3/4"$ high.



SIDE MOUNT BRACKET INSTALLATION

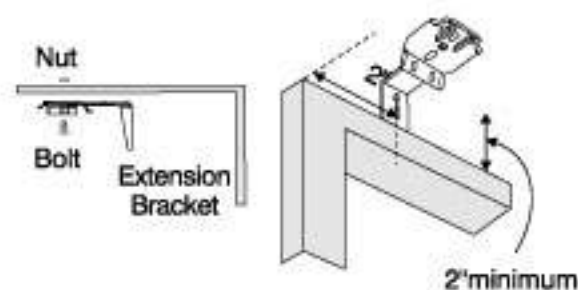
1. Line up the bracket top with the desired height of the top of the headrail.
2. Mark holes for screws. Brackets must be level. Remove brackets and drill holes.
3. Insert bugle head screws for keyhole slots only. Approximately $1/8"$ of the screw should be left protruding.
4. Pull the cord lock assembly partially out of the headrail and slide the bracket on as shown. Push the cord lock assembly and bracket back all the way into the rail.
5. Remove the endcap from the opposite end of the headrail. Slide the remaining side mount bracket on the headrail. Replace the end cap before sliding the bracket all the way into the headrail.



6. Hook one bracket onto the screw in the window frame, using the keyhole slot. Bring the other end bracket over the screw at the other side of the frame. Slide down, flexing bracket inward until the screw engages in the keyhole slot.
7. Make sure both brackets are slipped down all the way in the keyhole slot so that the screw is in the top portion of the keyhole slot. Install a screw in the bottom hole of each bracket. Tighten all screws.

OPTIONAL EXTENSION BRACKETS

Optional Extension Brackets are used to project the back of the shade up to $2\ 3/8"$ from the mounting surface. Attach the Installation Bracket to the Extension Bracket with the nut and bolt provided.

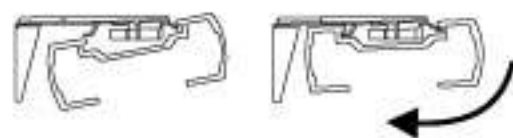


HANGING THE SHADE

Unwind the cord from the shade but keep the rubber band around the shade stack.

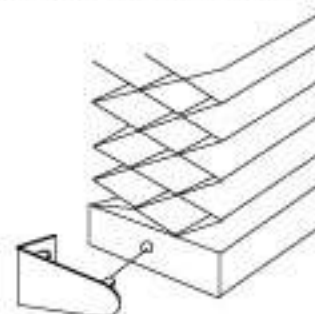
1. Hold the shade up near the brackets and insert the front clip of the bracket into the front groove of the rail.
2. Make sure the shade is centered in the window opening.
3. Push the rail back and up until the back clips of the bracket are inserted in the back groove of the rail.

To remove shade, reverse procedure.



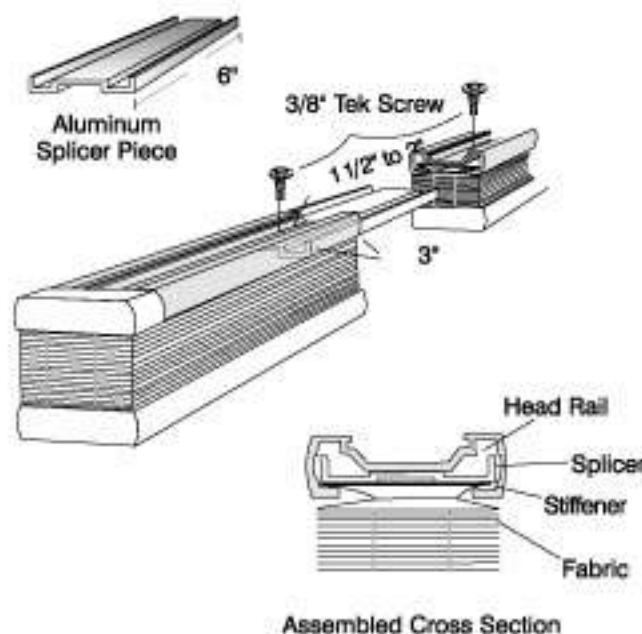
OPTIONAL HOLD DOWN BRACKET

Optional Hold Down Brackets are mounted with the supplied screws. With the shade at its proper drop, place the pin of each Hold Down into the hole in each End Cap and mark the screw holes. Make sure the pins are level and aligned. Raise the shade, then screw the Hold Down Bracket into the mounting surface.



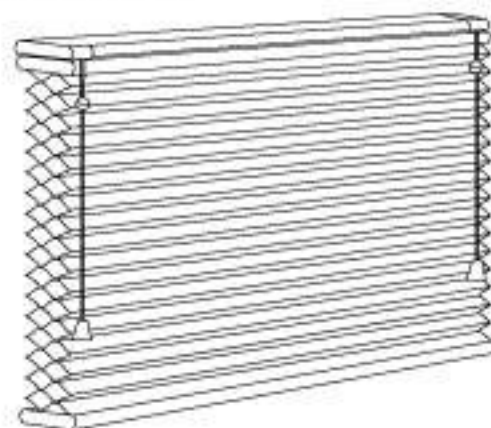
TWO-ON-ONE HEADRAIL SPLICER

For shades ordered as Two-on-One Headrail using the Splicer piece, insert Splicer in Headrail of both shades as shown. Lock into place using $3/8"$ Tek Screws provided.



HOW TO OPERATE YOUR SHADE

On a standard Top-Down/Bottom-Up shade, the right hand cord operates the middle rail, while the left hand cord operates the bottom rail.



CORDLOCK OPERATION

To raise or lock either the middle rail or bottom rail of the shade, pull the cord down and inward to the center of the shade.

NOTE: When raising the middle rail all of the way to the head rail, you should raise the bottom rail a couple of inches. This will prevent pinching the equalizer between the rails.

To lower or release either the middle rail or bottom rail of the shade, pull the cord directly downward in the vertical position to release the lock.

Pull cord down, raising Bottom Rail to lower Equalizer so it will not get caught between the Head Rail and the Middle Rail. Do this prior to raising the Middle Rail.

