

# 2" Cordless Fauxwood Blind Installation Instructions

## Please follow these Installation Instructions

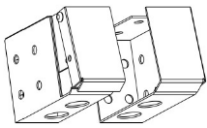
You will need a pencil, tape measure, drill, screwdriver, pliers, and appropriate fasteners.

### Step 1: Find Enclosed Installation Screws



1 1/2" #8 Hex Head Wood Screws (Included)  
Alternative fasteners should be used for aluminum or concrete installations. (Not Included with Blinds)

### Step 2: Prepare Brackets



End Box  
Brackets



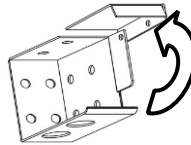
Center Installation  
Support

Use the following # of Center Support Installation Brackets based on the Blind Width:

Up to 35 7/8"	36" – 65 7/8"	66" – 77 7/8"	Greater than 78"
1	2	3	4

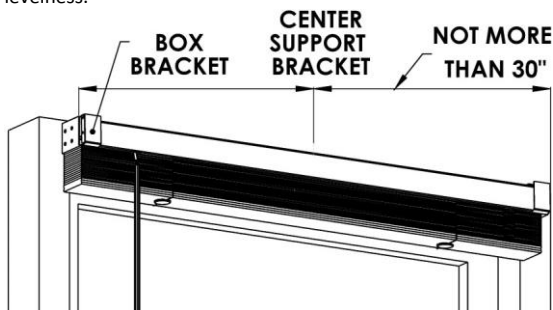
#### Prepare box brackets for installation:

Open the front of the bracket by pressing on the bottom of the bracket to release the locking tab while lifting the front gate.

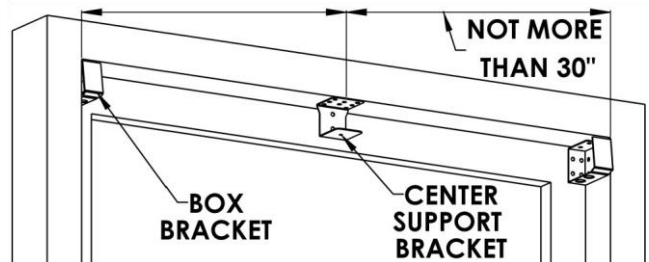


### Step 3: Mark the Bracket Locations

*(For Outside Mount Installations)* Position the box brackets at each end of the headrail. When using a single center support bracket, center it between the box brackets. For more than one center support bracket, space the support brackets evenly. Make sure the brackets will not interfere with the cord mechanism or any other internal parts. Mark the bracket for mounting hole locations, making sure they are square and equally spaced. For outside mount installations, use a level to check for levelness.



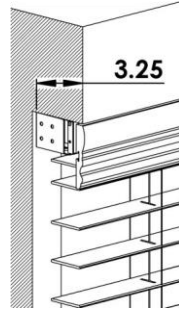
*(For Inside Mount Installation)* Position the box brackets at each end of the headrail. Depending on the installation location, box brackets can be attached using the top, back, or side holes. When using a single center support bracket, center it between the box brackets. For more than one center support bracket, space the support brackets. Make sure the brackets will not interfere with the cord mechanism or any other parts. Mark the location of the desired bracket mounting holes, making sure that they are square and equally spaced.



# 2" Cordless Fauxwood Blind Installation Instructions

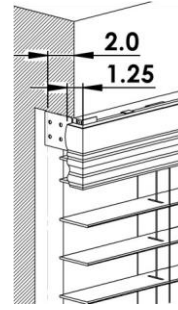
When placing the order indicate depth of the window

Window Depth	Recommended Mount
3.25" or deeper	Flush Inside Mount, No Returns
2" to 3"	Inside Mount with 1 1/4" Returns or Outside Mount with 3 1/4" Returns



3.25 or bigger  
window depth

No Valance Return

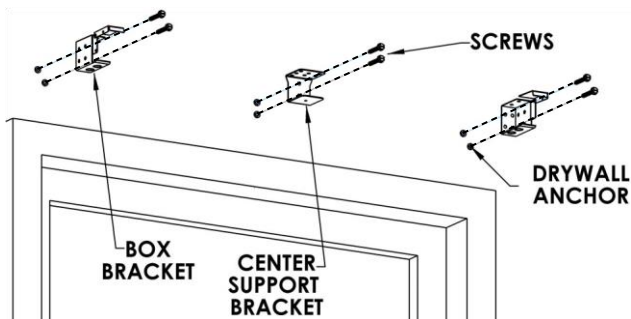


2" or bigger  
window depth

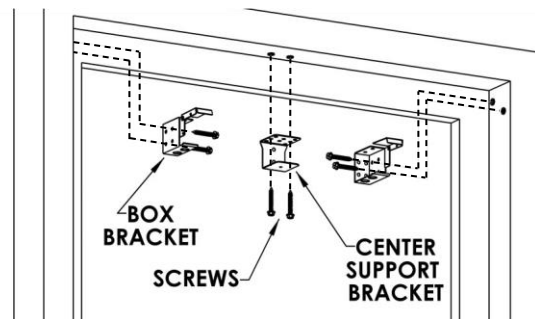
1 1/4" Valance  
Return

## Step 4: Bracket Installation

(For Outside Mount Installations. Screw brackets into wall as shown.)



(For Inside Mount Installations. Screw brackets in window frame as shown.)

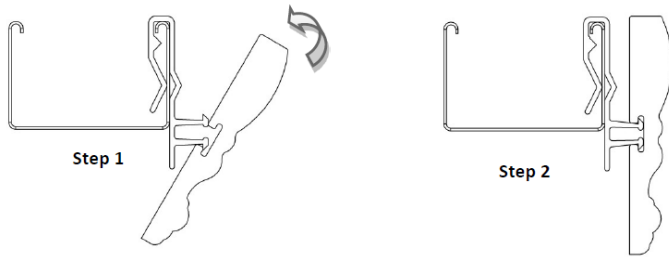


# 2" Cordless Fauxwood Blind Installation Instructions

## Step 5: Valance Installation

**Step 1.** Attach the loose plastic Valance Clips to the front of the headrail, one at each end. Space any remaining clips evenly. Press the slot in the Valance against the bottom post of the Valance Clip and rotate it upwards.

**Step 2.** Push the Valance against the Valance Clip. The two parts should snap together.



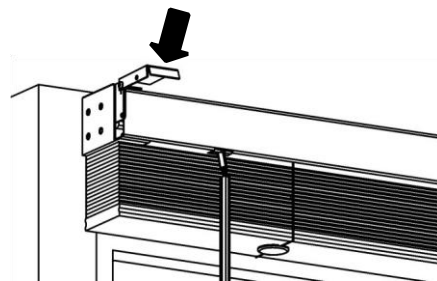
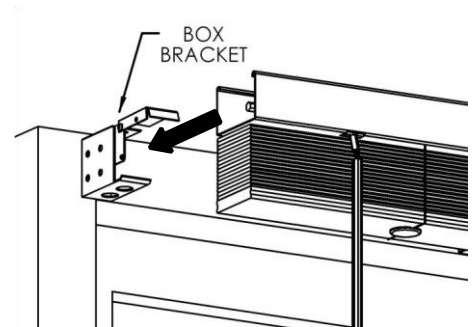
Valance Clips Needed				
Up to 47.99"	48" - 71.99"	72" - 95.99"	96" - 119.99"	120" +
2	3	4	5	6

For your convenience, extra valance clips are included.

## Step 6: Blind Installation

Align the headrail with the center support and box brackets. The headrail should have the tilt mechanism facing toward the room. Be careful not to trap the top slat in the brackets and slide the headrail straight back until it is snug in the brackets. If the headrail can slide from side to side in the box brackets, you can use a flat head screwdriver to bend out the tabs on the end of the until it is snug.

Lower the front gate of each box bracket and press until the locking tab clicks into place.



### Operating Instructions:

**To lower the blind,** pull down on the bottom rail with one hand gripping it near the middle or with both hands grabbing the bottom rail at the equal distance from the center. When released shade will stay in place at desired height. **To raise the blind,** push up on the bottom rail near the center to reach desired height. Once released, shade will stay in place.  
**To tilt the blind,** turn the tilter wand in either direction.