

CORDLESS FAUXWOOD BLIND INSTALLATION INSTRUCTIONS



WARNING

Inner cords can pull out to form a loop, which can STRANGLE a young child.

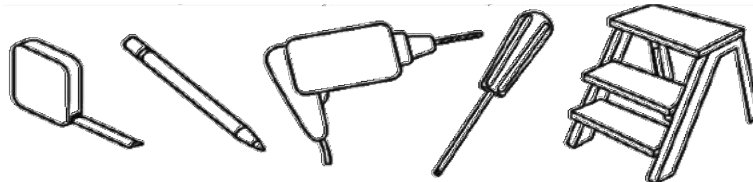
- Children can climb furniture to access inner cords. Move cribs, playpens, and other furniture away from window coverings.



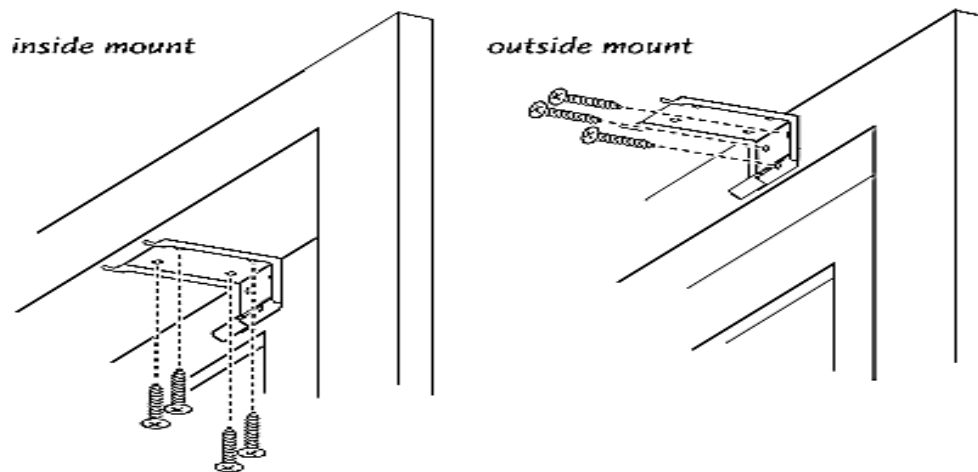
Step 1. Check Package Contents

	Part	Quantity
a	Mounting Bracket	2 (shades up to 33" wide) 3 (shades up to 48" wide) 4 (shades up to 72" wide)
b	1 1/4" Screw	8 (shades up to 33" wide) 12 (shades up to 48" wide) 16 (shades up to 72" wide)

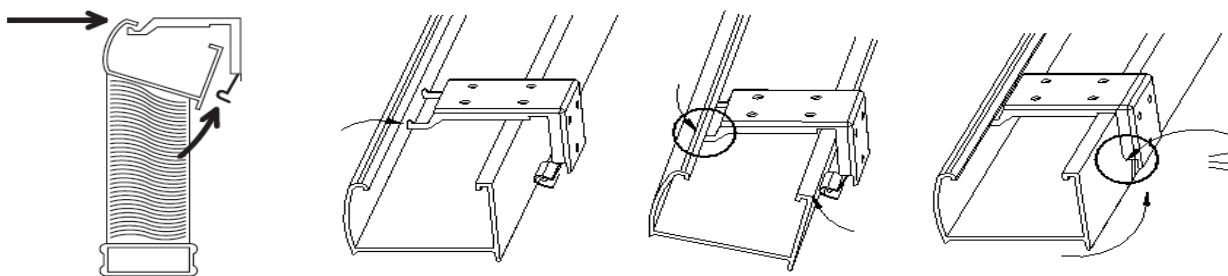
Step 2. Tools Required



Step 3. Bracket Location and Installation

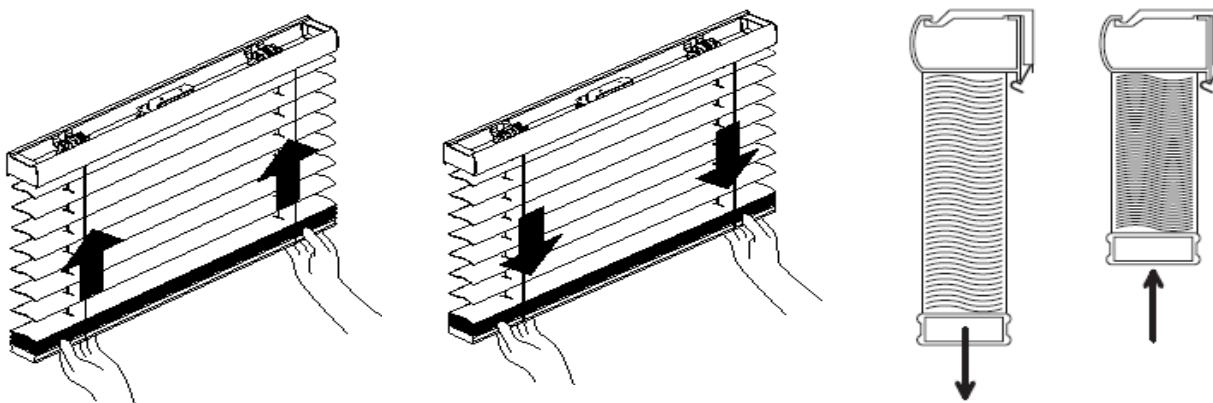


Step 4. Secure the Head Rail



- Blind can be inside or outside mounted.
For Inside mount, minimum 3" depth is required.

Step 5. Operate Cordless Fauxwood Blind



- To lower the shade : grip bottom rail and pull down to the desired length.
- To raise the shade : grip bottom rail and lift towards head rail to desired height.
- To adjust the angle of the slats : grip bottom rail and gently pull down or lift up to rotate the slats.

IMPORTANT !

Always lower and raise at the center of the blind to assure that the bottom rail of remains even.



RAISING FROM THE LEFT OR RIGHT HAND SIDE OF BOTTOM RAIL WILL CAUSE INNER CORDS TO TANGLE IN RETRACTING MECHANISM AND WILL MAKE BLIND INOPERABLE.

If the blind is not able to raise to the top, try use two hands to operate the blind as illustrated above.

Maintenance For Your Cordless Blind

To maintain optimal performance of the springs that make your cordless blind function, lift and lower your blind through its full range of motion – all the way up and down –every day if possible.