

1" Faux Wood Horizontal Blind Installation Instructions

You will need:

Pencil, tape measure, drill, screwdriver, level, and appropriate fasteners

1 Locate installation screws



1 1/2" #8 hex head wood screws (included)

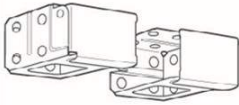


Alternative fasteners should be used for metal, brick, tile or concrete installations (**not** included)

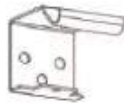
2 Mark blind location

Position the blind in the desired location, making sure that the blind is level when marking. Mark above and at the ends of the blind.

3 Mark the bracket locations

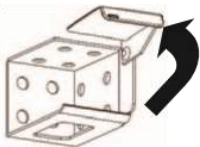


End Box Bracket



Center Support Bracket

Use the following # of Center Support installation brackets based on the blind width			
Up to 24"	24 1/8" – 36"	36 1/8" – 60"	Greater than 60"
0	1	2	3

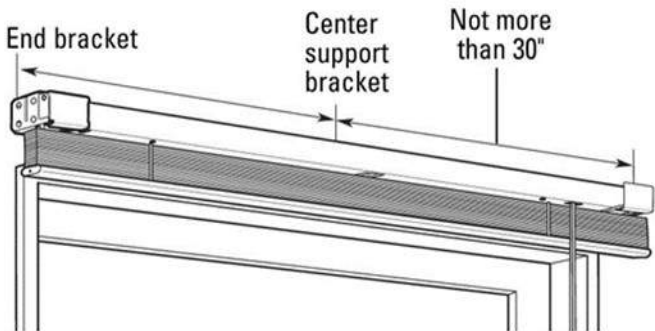


Prepare box bracket for installation: Open the front of the bracket by pressing on the bottom of the bracket to release the locking tab while lifting the front gate.

Outside mounting installation

Align mounting bracket with blind location marks and mark two (2) screw locations.

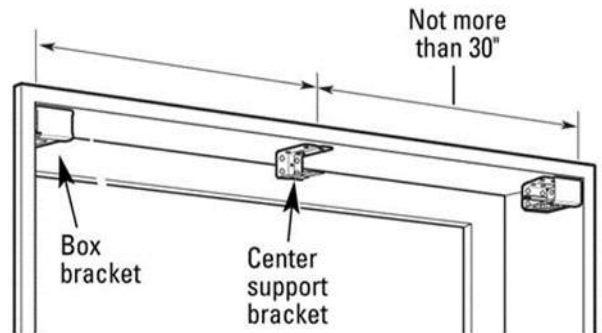
If center support bracket is required; position the top of the center support bracket in line with the top of the end brackets. Locate center supports evenly along the headrail, making sure that they do not interfere with the blind ladder or working parts. Check for levelness.



Inside mount installation

Align mounting bracket with blind location marks and mark two (2) screw locations. Depending on the installation location, box brackets can be attached using the top, back, or side holes.

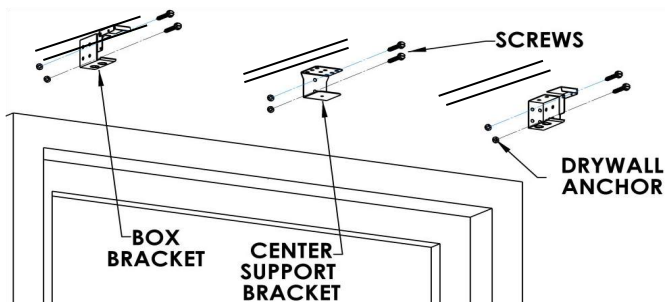
If center support bracket is required; position the top of the center support bracket in line with the top of the end brackets. Locate center supports evenly along the headrail, making sure that they do not interfere with the blind ladder or working parts.



4 Bracket installation

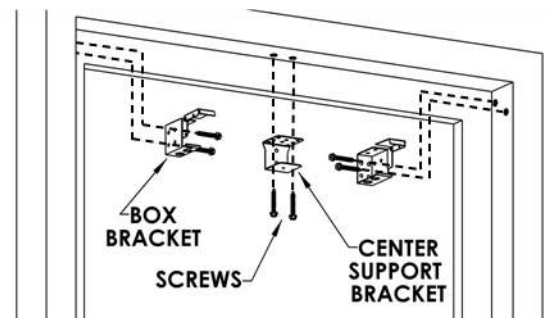
Outside mounting installation

Screw brackets into wall as shown



Inside mount installation

Screw brackets into surface as shown



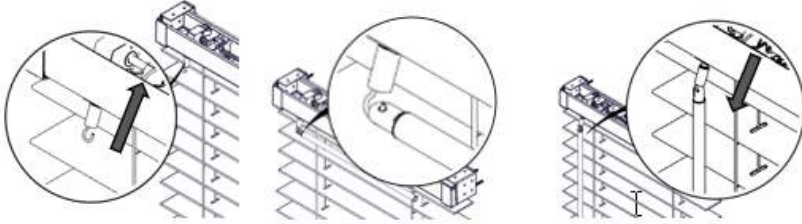
1" Faux Wood Horizontal Blind Installation Instructions

Valance clip installation *Skip this step if the valance has pre-installed magnetic valance clips.*

- 5** Attach the plastic valance clips to the front of the headrail, one (1) approximately 5½" from each end. Space any remaining clips evenly between the two clips on the ends.

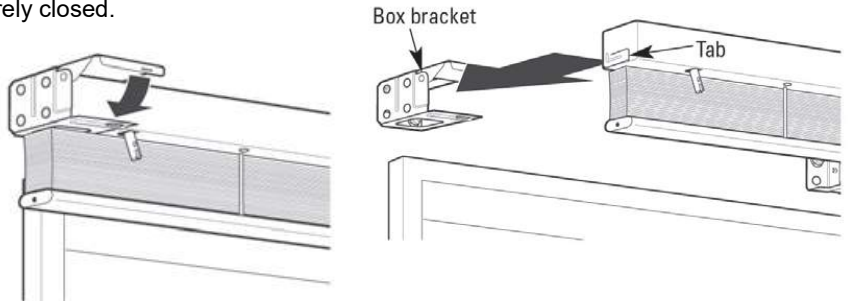
Attach wand (if required)

- 6** Attach wand by sliding the outer casing of the tilter stem up to expose the hook. Insert the wand and slide the outer casing down.



Blind installation

- 7** Align the headrail with the center support and box brackets. The headrail should have the tilt mechanism facing toward the room. Be careful not to trap the top slat in the brackets. Slide the headrail straight back until it is snug in the brackets. Lower the bracket door making sure that it **snaps** securely closed.



Cord cleat installation

- 8** Place the cord cleat approximately 1" out from the side of the blind and about 1/4 of the distance from the bottom of the blind. Hold the cord cleat parallel with the window and mark the hole. Screw the cord cleat to the wall.

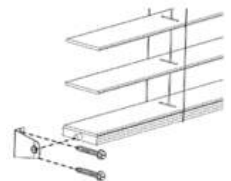


Attach hold down brackets (optional)

- 9** With the hold down brackets attached to the bottom rail, lower the blind to the hold down bracket mounting surface and mark the bracket locations.

Attach the hold down brackets at the bottom of the window or door with the included screws as shown.

To attach the bottom rail, gently pull the brackets out slightly and insert the pin into the bracket.



Corded Operating Instructions

To lower the blind, pull the cord down and towards the center of the blind to unlock the cord. Then slowly release the cord until the blind reaches the desired location. Move the cord past the outer edge of the blind and let go to lock the cord. **To raise the blind**, pull the cord straight down until the blind reaches the desired location. Move the cord past the outer edge of the blind and let go to lock the cord in place.

To tilt the blind, turn the tilter wand in either direction or pull the tilt cord to desired slat location.