

SelectBlinds®

How To Install

Use a steel tape measure to insure accuracy. Take a moment to plan your installation: consider positioning of under-treatments, clearance for decorative rings, clips & finials etc.; and anything that might be unique to your installation. Follow any specific instructions that came with your hardware.

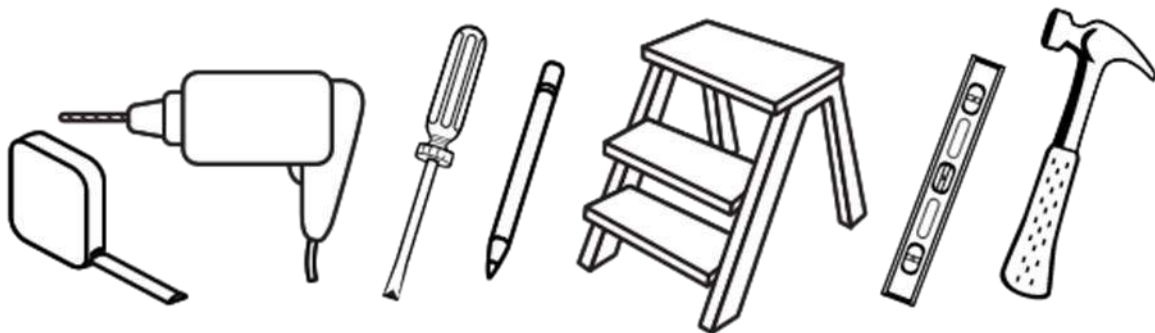
1 1/4" Metal Decorative Rod Installation

Draperies

- If you do not already have your drapery rods installed, make sure to install them at exactly the same height that you measured the length of your drapes from.
- Follow the instructions below on how to install your drapery rods
- Place your draperies on the rod and arrange them the way that you would like them to hang

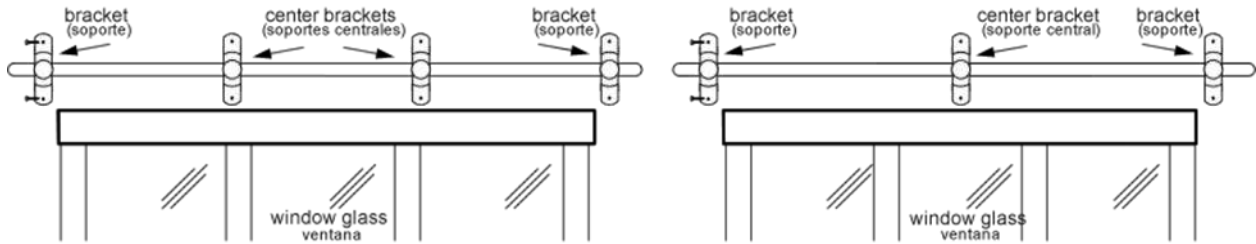
Step 1. Tools Required

Tape measure, drill, drill bits (3/32" for wall studs, 1/4" for wall anchors), screw driver, pencil, step stool or ladder, spirit level, hammer (to tap in anchor, if necessary).

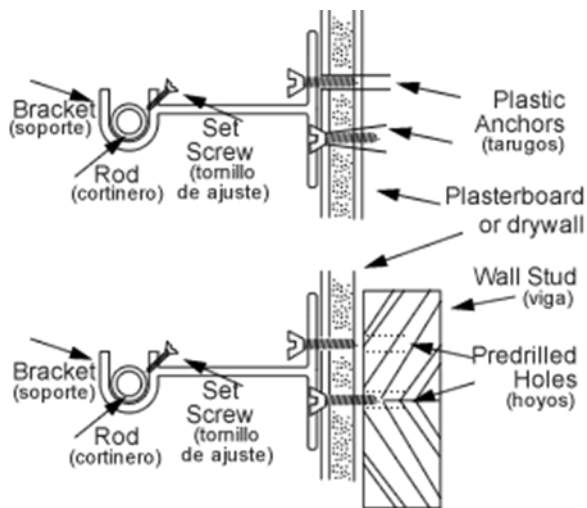


Step 2. Installation

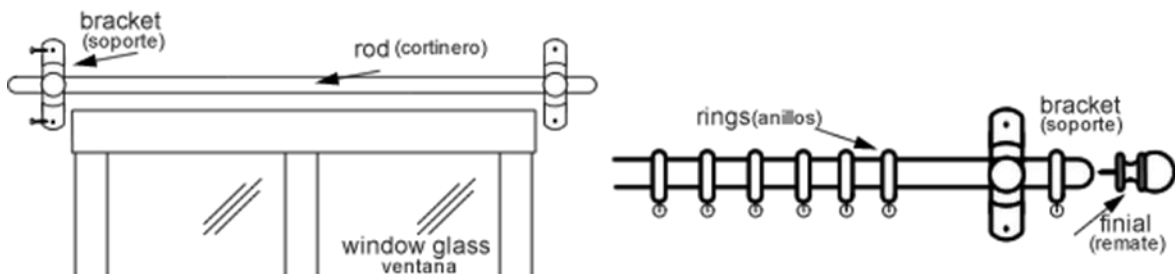
1. Carefully measure the curtain length, and then position the mounting brackets as desired. Center Supports must be used for larger rod sets, and should be positioned evenly between the outer brackets (see drawings).



2. Mark screw locations using a pencil. It is recommended that the screws be driven directly into a wall stud. However, if this is not possible or practical, drywall anchors have been provided. Drill starter holes for the screws or screws & anchors.

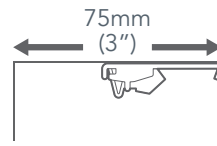
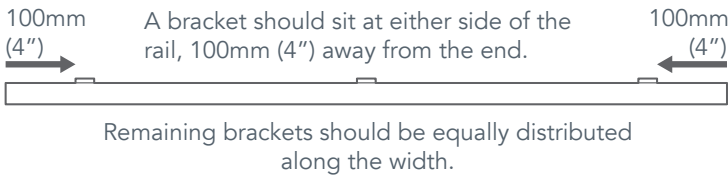


3. Attach the brackets.
4. Slid the drapery panel(s) onto the rod, or slide decorative rings (sold separately) onto the rod, and then place the rod in the brackets. Adjust the width as necessary, and then tighten the set screws.



5. Attach decorative finials or end caps.

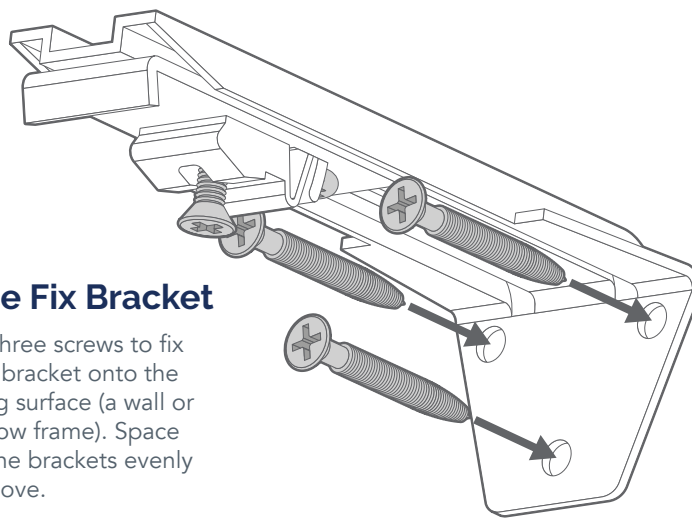
Before you begin



If you are using top-fix brackets, the front edge of the bracket must be at least 75mm (3") away from the facing surface behind the rail. This will ensure that the waves in the fabric do not brush against the wall or window behind.

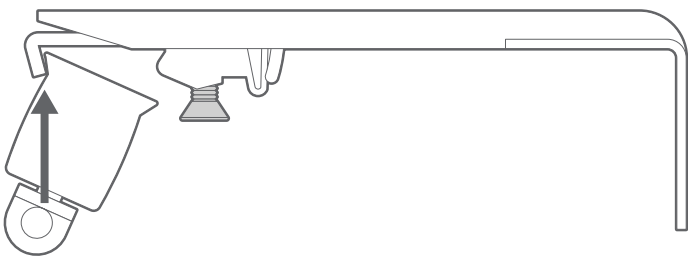
Installing the brackets and fitting the rail

1

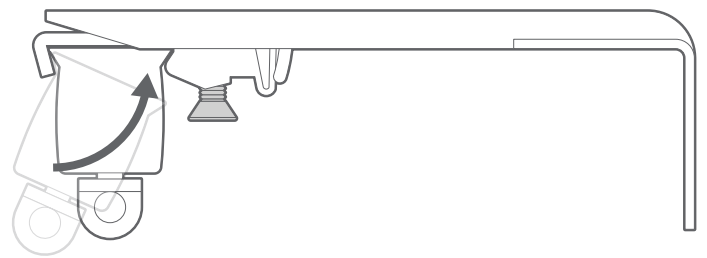


Face Fix Bracket

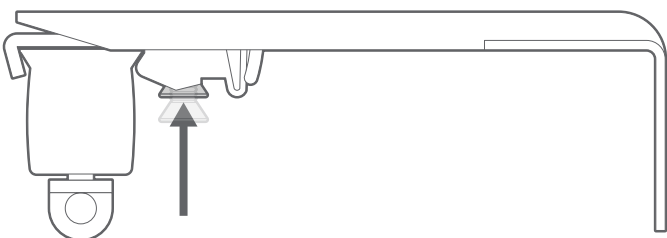
Use three screws to fix each bracket onto the facing surface (a wall or window frame). Space out the brackets evenly as above.



Locate the front lip of the curtain headrail into the front hook of the bracket.



Rotate the headrail so that the back lip slots into the locking part of the bracket, then tighten the bracket screw to secure the rail in place.



Tighten the locking screw in the bracket to lock the rail in place.

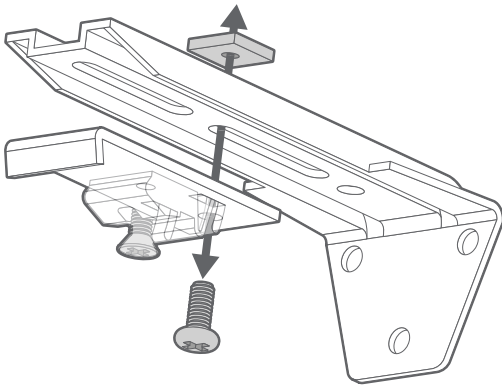
Top-Tip:

The depth of the bracket is adjustable, allowing the track to be closer to or further from the fixing surface. Loosen the screw at the back of the top section, slide the section backwards or forwards to adjust, then tighten the screw to lock.

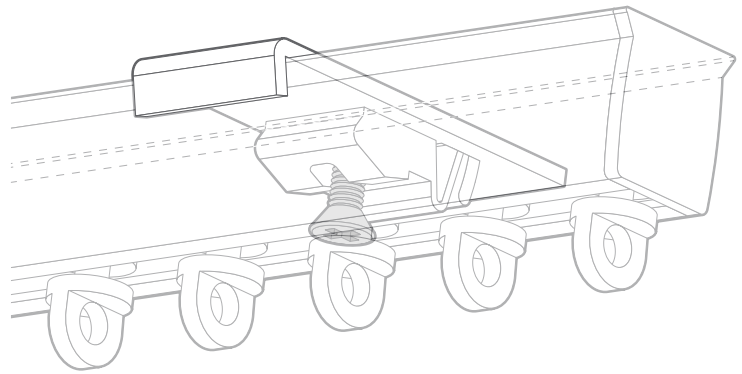


Installing the brackets and fitting the rail

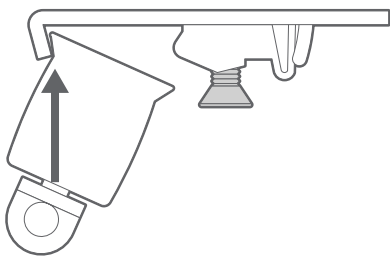
TopFix Bracket



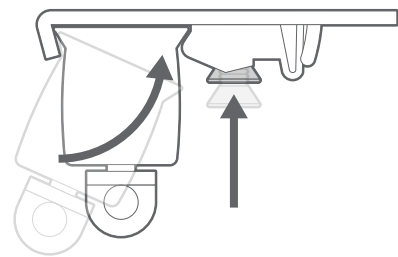
Detach the top fix section of the bracket from the L-shaped face fix section.



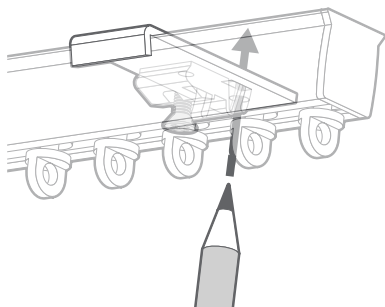
Clip the brackets onto the rail, spaced out as per page 1.



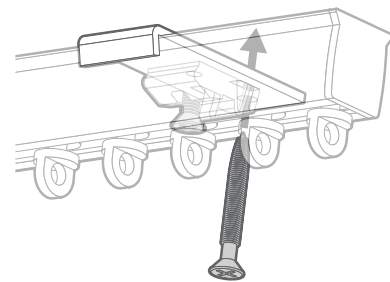
To do so, locate the front lip of the curtain headrail into the front hook of the bracket.



Rotate the headrail so that the back lip slots into the locking part of the bracket, then tighten the bracket screw to secure the rail in place.



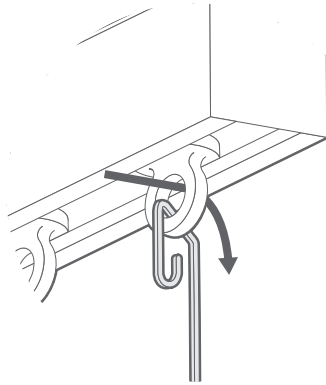
Next, hold the rail up to the fitting surface and mark out the screw holes with a pencil.



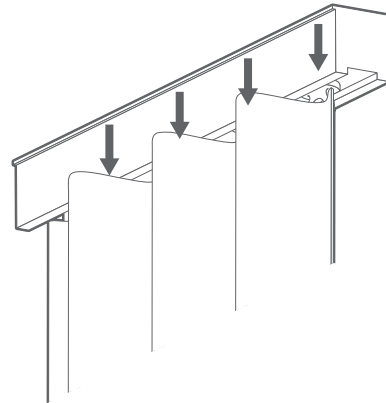
Drill a hole at each mark and insert rawl plugs. Then, hold the rail and brackets up and screw the brackets into place. Use a single screw for each bracket, through the rear-most screw hole.

Hanging your curtains

2



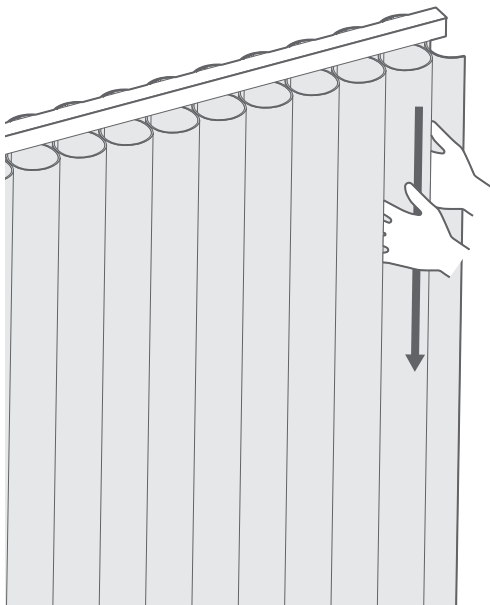
Insert the hooks into the plastic eyelets in the headrail.



Continue until all of the hooks are inserted, then enjoy your beautiful new curtains!

Dressing your curtains

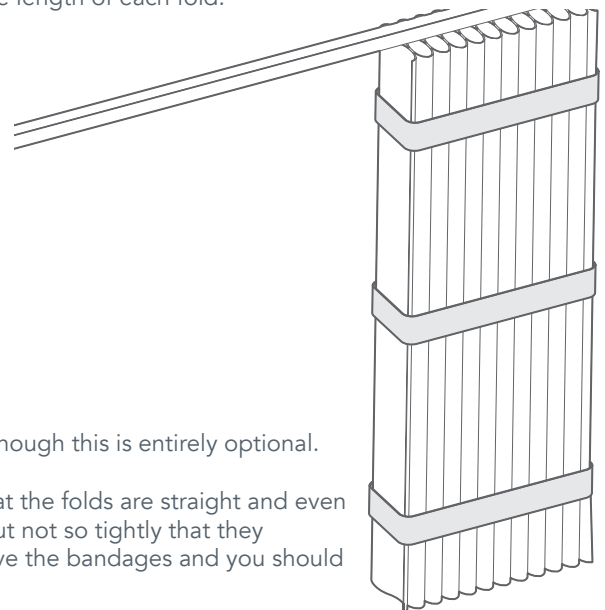
3



As curtains are a soft fabric product, a little dressing is sometimes required to finish the installation perfectly.

'Stack' the curtains over to the sides and check that the folds are all even in size and shape.

Starting from the outside edge, work from the top downwards and run your hands firmly down the length of each fold.



For a really professional finish, you can even 'bandage' the curtains, though this is entirely optional.

Wrap several runs of spare fabric around the curtains, making sure that the folds are straight and even as you do so - wrap them tightly enough to hold the folds in place, but not so tightly that they squeeze the fabric. Leave them bandaged for 2 or 3 days, then remove the bandages and you should find the folds are perfect.

Top-Tip:

When you first unpack your curtains they may be quite creased - this is normal, as they've been folded and packed for transit. These creases will hang out over time and we recommend leaving them to do so. If you have access to an upright steamer though, you can try lightly steaming the fabric (on a low setting) to encourage those creases to drop out faster.