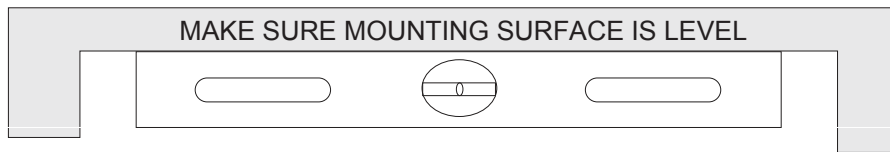


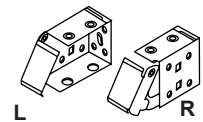
## Step 1. BRACKET INSTALLATION



Before beginning ensure the mounting surface is level, otherwise the blind will not raise up evenly which can cause damage to the edges of the blind and to the lifting cords.

**Tools Needed:** pencil, drill or screwdriver, tape measure, level.

### Parts List:



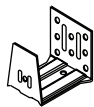
Installation Brackets



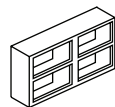
Installation Screws  
(use 2 per bracket)



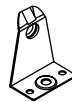
Valance Clips



Centre Support Bracket  
(on blinds wider than 48")



Spacer Block  
(supplied upon request)



Hold-Down Bracket  
(supplied upon request)

### Inside Mount

Mark the location of each bracket on the mounting surface with a pencil. Brackets should be installed with the flap door opening upwards, and towards you (fig. 1). Depending on the mounting surface, screws can be fastened through the holes at the top, back or sides of the installation brackets. Wall plugs may also be required (not included).

- Allow 2" minimum for a shallow mount.
- Allow 3 5/8" for flush inside mount.
- Use spacer blocks (supplied upon request) if necessary to ensure that the headrail is mounted level or to avoid obstructions such as window cranks or hinges.
- Install centre support brackets between the mounting brackets if blind is wider than 4 ft. (fig. 2)

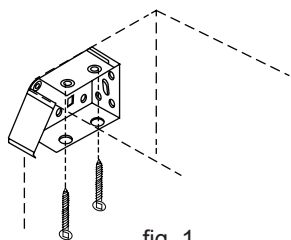
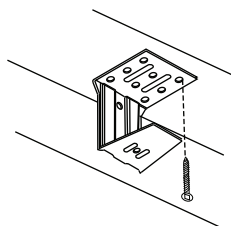


fig. 1



Centre support  
bracket (required  
on blinds wider  
than 4 ft.)

fig. 2

### Outside Mount

Mark the location of each bracket on the mounting surface with a pencil. Brackets should be installed with the flap door opening upwards, and towards you (fig. 3). Depending on the mounting surface, screws can be fastened through the holes at the top, back or sides of the installation brackets. Wall plugs may also be required (not included).

- Allow 2" minimum mounting surface.
- Use spacer blocks (supplied upon request) if necessary to ensure that the headrail is mounted level or to avoid obstructions such as window cranks or hinges.
- Install centre support brackets between the mounting brackets if blind is wider than 4 ft. (fig. 4)

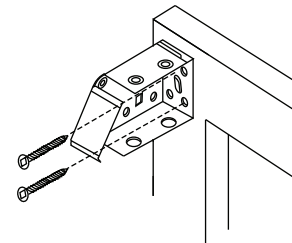
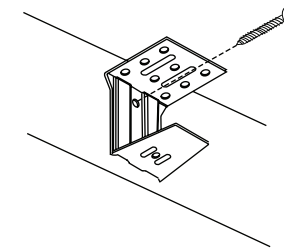


fig. 3



centre support  
bracket (required  
on blinds wider  
than 4 ft.)

fig. 4

## Step 2. VALANCE CLIPS

For 2" Eco Wood and Urban Fauxwood blinds, you will be required to assemble the valance clips (steps listed below). If you have ordered 1" or 2" Aluminum blinds, no valance clip assembly is required; simply hook the valance clips onto the headrail ensuring they are evenly spaced along the width of the blind (fig 6).

### 2" Eco Wood and Urban Fauxwood Blind Valance Clip Assembly:

Slide the two halves of the clip together as shown (fig 5). Leave a 4" gap between the top and bottom clips for valance installation later on.

Hook the assembled valance clips onto the headrail ensuring they are evenly spaced along the width of the blind (fig 6).

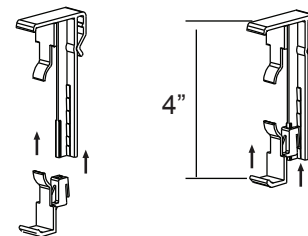


fig. 5

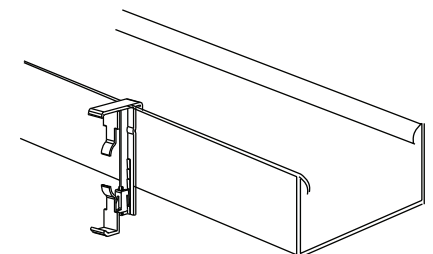


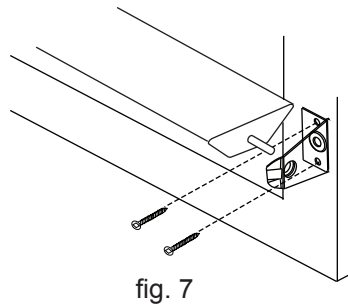
fig. 6

### Step 3. MOUNTING THE BLIND

Make sure the installation bracket flap doors are in the open position. Place the headrail into the installation brackets. If any centre support brackets are installed, please ensure blind slats are clear of the bracket and do not get pinched between the headrail and centre support bracket.

Close the bracket flap doors, ensuring they are securely locked. Place the valance inside the valance clips. Adjust the clips to securely grip the valance.

If hold-down brackets were ordered, install the brackets on window or door frame (fig. 7) and insert the bottom rail pin through the hold-down bracket.



### Step 4. MOUNTING THE VALANCE

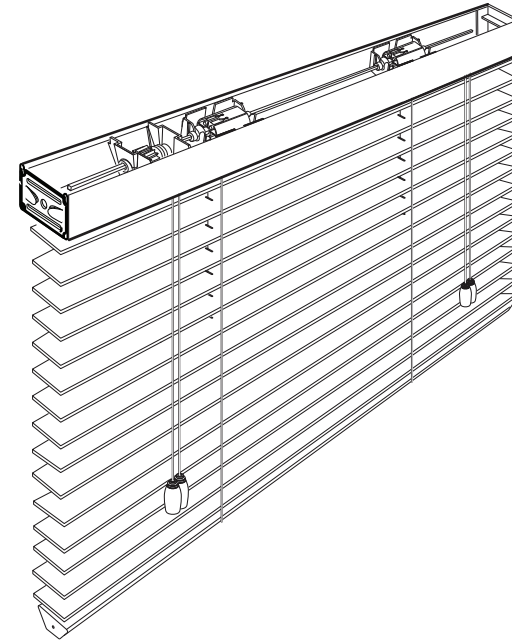
Elite supplies a valance with each horizontal blind (unless otherwise specified). For 1" and 2" Aluminum blinds, snap the valance into the clips on the headrail.

For 2" Eco Wood or Urban Fauxwood blinds, insert your valance into the valance clips, and compress each clip for a secure fit around the valance.

### NOTES

Lightly dust the slats periodically. Do not use any solvents or cleansers. If you have ordered a continuous cord loop control you **MUST** secure the controls with the supplied cord tensioner. Please see separate instructions for proper cord tensioner installation. If you have ordered a motorized blind, see separate programming guide should you need to adjust the motor limits or reprogram the motor. As a courtesy, Elite pre-programs all motors according to ordered sizes and specifications.

## Installation Instructions



## Horizontal Blinds

- 1" Aluminum

Please take a few minutes to read through these instructions before beginning.